

VDH MINI PILING MACHINE 1200

Van den Heuvel developed the VDH-MPR-1200 specifically for pile driving where space is limited and in hard-to-reach places. This ultra-compact mini piling rig is made of high-quality components and is therefore very robust, reliable and safe. The VDH-MPR-1200 has a small electric motor and a drop weight of up to 1200 kg, making it perfectly suited for pile driving inside a building.

RELIABLE AND ROBUST

Designed with high-quality components and simple controls, the machine is very robust, reliable and safe. Van den Heuvel developed and produced the PLC-controlled free-fall piling system itself. This generates a continuous high frequency that results in excellent machine performance. The piling process is closely monitored by sensors, which prevents a possible fault notification from creating a potentially dangerous situation. Based on proprietary software, the pressures and any fault notifications can be read out on a touchscreen. Any anomalies in the process generate an automatic notification, in response to which settings can be quickly and easily adjusted to optimise the piling process. Moreover, feedback from the contamination indicators is displayed on the machine's touchscreen. The fail-safe redundant brakes on both the drum and the clutch disc also ensure safe working conditions. The MPR-1200 meets the strictest requirements and standards, such as the NEN-EN 16228 for foundation equipment.

FULLY ELECTRIC

The mini piling rig is equipped with a 400V electric motor and is therefore perfect for use on projects where minimising emissions is important, such as work inside buildings. Feedback from the contamination indicators is displayed on the machine's touchscreen.

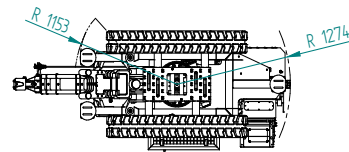
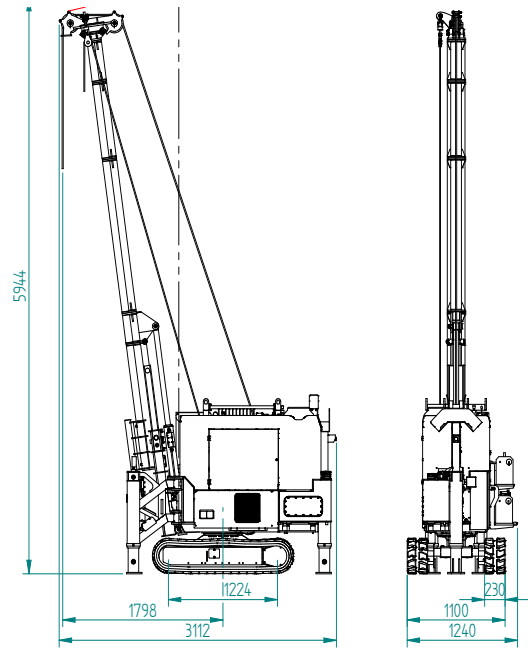
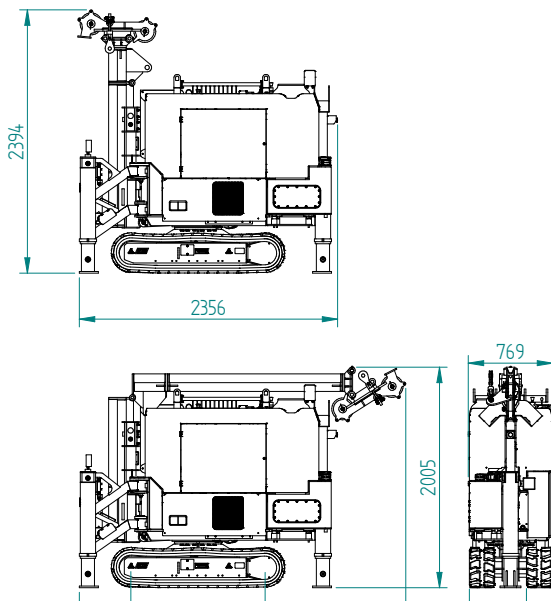
COMPACT IN USE AND TRANSPORT

Thanks to the dimensions of the VDH-MPR-1200 (with a length of 3,000 mm and a width of 750 mm), a combination that can be driven with a European category BE driving licence is all you need to transport the machine. This is logistically beneficial and also means lower transport costs and a smaller footprint.

PRODUCTION IN OUR WORKSHOPS

Our fully equipped metal and hydraulic workshops and paint shop employ skilled welders, fitters and sprayers who produce a high-quality finished product. Here, machines and equipment are welded, machined and assembled according to drawings. Then the machines and equipment are preserved in our own paint shop.





ADVANTAGES OF THE VDH-MPR-1200:

- Ultra-compact machine
- Fits through standard door opening of 800 mm
- Suitable for low spaces
- Fully electric
- Custom-made free-fall hammer winch
- PLC controller with touchscreen
- Compact in transport
- Robust, safe and reliable



All VDH machines are extensively and carefully tested and approved prior to delivery, are of the highest quality and meet the applicable standards. Van den Heuvel also provides maintenance and service for all the machines.

READY FOR THE FUTURE

Van den Heuvel designs, modifies and builds various types of high-quality machines for special applications. VDH is therefore a successful partner in the foundation sector. Production and modification take place entirely in-house, using state-of-the-art equipment, with expertise developed over many years. Everything is taken care of for the customer throughout the process, from the initial request to delivery of the machine, service and maintenance. Custom solutions result in perfect basic machines, which can be adapted to the needs of the customer or project.

