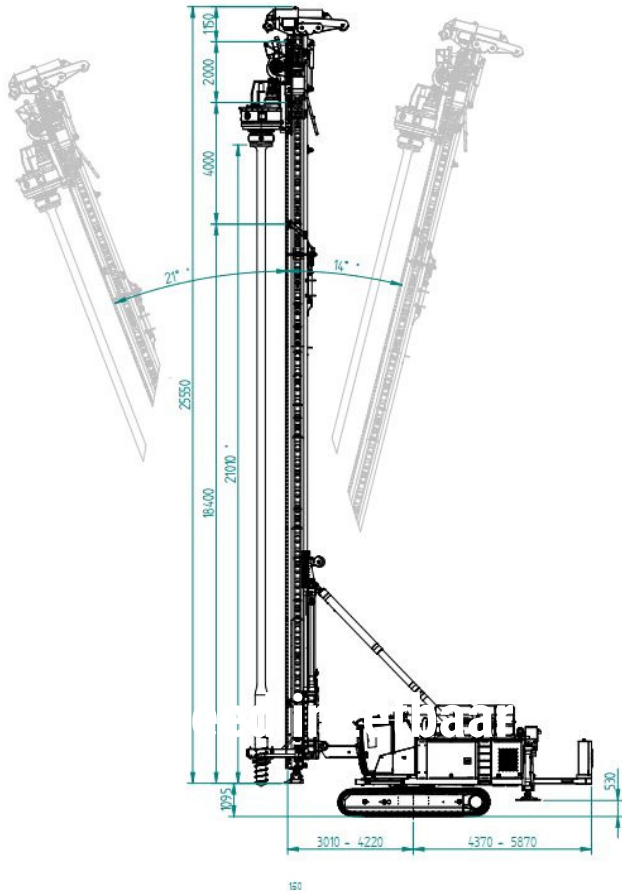
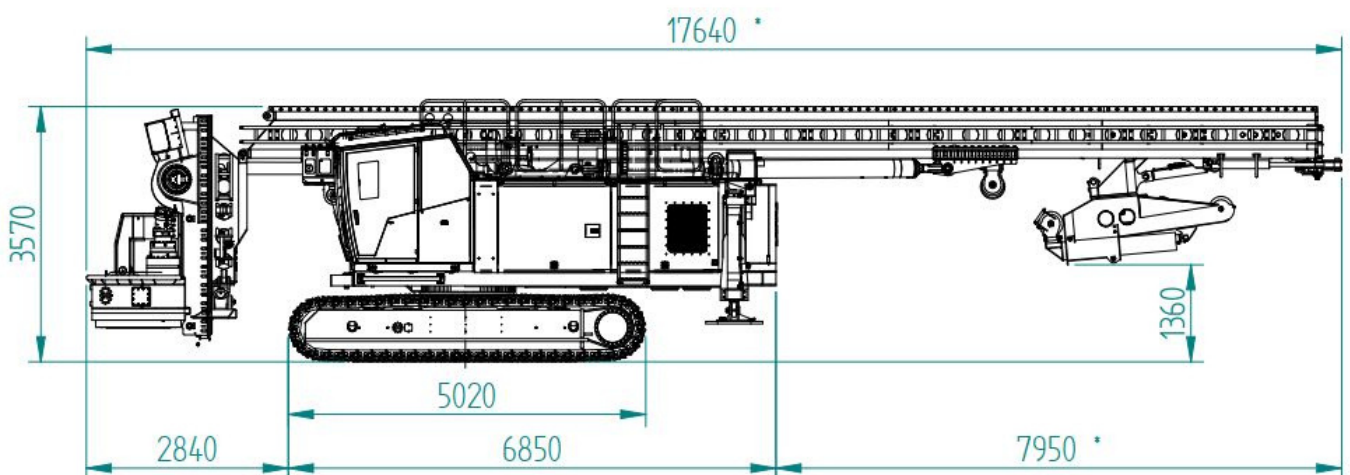




- Compact transportation
- Self erecting
- Modular machine



Technical specifications	
Standard leader length	23 meter
Maximum leader length	27 meter
Horizontal slide stroke	1.200 mm
Leader stroke	3.000 mm
Operating weight	72 ton
Transport weight without counter weight	69 ton
Diesel engine	Volvo TAD1385 (Stage V)
Power diesel engine	405 kW (550 pk)
Fuel tank	1.500 liter
Total counter weight	3.350 kg
Transport width	3.200 mm
Transport height	3.600 mm
Working width	4.700 mm
Undercarriage length	5.100 mm
Standard track shoe width	900 mm
Hydraulic	
Maximum hydraulic flow	1.325 liter
Maximum oil pressure	350 bar
Maximum drilling torque	250 kNm
Hydraulic tank	750 liter
Hydraulic components	Rexroth
Winches	
Main winch 1	60 ton pull-up
Main winch 2	30 ton pull down
Auxiliary winch	5 ton
Service winch	3 ton
Manlift winch	0.8 ton
Auger drilling	
Maximum auger diameter	600 mm
Maximum auger length	25 meter
Maximum pile length	24 meter



* Depends on leader configuration.

150