

SENEBOGEN

PRELIMINARY



80 t
TELESCOPIC
CRAWLER
CRANE



186 kW



80 t



42 m + 15 m



MAXCAB

Stage **V**

TECHNICAL DATA, EQUIPMENT

MACHINE TYPE

MODEL (TYPE) 683 Crawler

ENGINE

TYPE **Stage V:**
 Cummins B6.7 FR95885
 Rated power: 168 kW/2000 rpm
 Operating point standard: 186 kW/2000 rpm
 Operating point ECO: 188 kW/1850 rpm

Stage IIIa:
 Cummins QSB6.7 FR96045
 Rated power: 164 kW/2000 rpm
 Operating point standard: 164 kW/2000 rpm
 Operating point ECO: 170 kW/1850 rpm

both:
 direct injection, turbocharged, charge air cooling, reduced emissions

COOLING Water-cooled

DIESEL FILTER With water separator and heater

AIR FILTER Dry filter with integrated pre-separator, automatic dust discharge, main element and safety element, contamination indicator

FUEL 450 l

ADBLUE 45 l

ELECTRICAL SYSTEM 24 V

BATTERIES 2 x 155 Ah

OPTIONS Low-temperature package
 Electric fuel pump

UPPERCARRIAGE

DESIGN Torsion-resistant box design, precision crafted, steel bushings for boom mountings. Service-friendly design, engine installed in the longitudinal direction

ELECTRIC Central electrical distributor, battery disconnect switch

LIGHTING LED headlights for optimal lighting of the work area

COOLING SYSTEM 3-circuit cooling system with high cooling output, electrically regulated fan drive for cooling water, charged air and oil

SAFETY Camera monitoring of the area to the rear and the right side

Uppercarriage railing

OPTIONS Additional LED headlights
 2 warning beacons at the rear
 Additional cameras
 Sea climate resistant coating as corrosion protection
 Customized paint finish
 Low-temperature package
 Automatic central lubrication for boom attachment point, luffing cylinder and live ring track
 Pinion tooth lubrication



TECHNICAL DATA, EQUIPMENT

HYDRAULIC SYSTEM / HYDRAULICS

Pump unit attached directly to diesel engine. Load-sensing/ LUDV hydraulic system, electro-hydraulic work functions, load limit control, axial piston variable displacement pump. Multiple work functions can be controlled precisely simultaneously and independently from each other thanks to the independent, proportional allocation of the pump flows.

DELIVERY RATE	Up to 400 l / min
OPERATING PRESSURE	Up to 330 bar
FILTRATION	High-performance filtration with long change interval
HYDRAULIC TANK	1250 l
CONTROL SYSTEM	Proportional, precision hydraulic control of the movements, 2 servo joysticks for work functions, additional functions via switches and foot pedals – arranged clearly and ergonomically
SAFETY	Hydraulic circuits with safety valves Pipe-fracture safety valves for luffing cylinder and telescopic cylinder
OPTIONS	Bio-oil filling SENNEBOGEN HydroClean micro-filter system (3 µm) with water separator Hydraulic tank preheating

SLEWING DRIVE

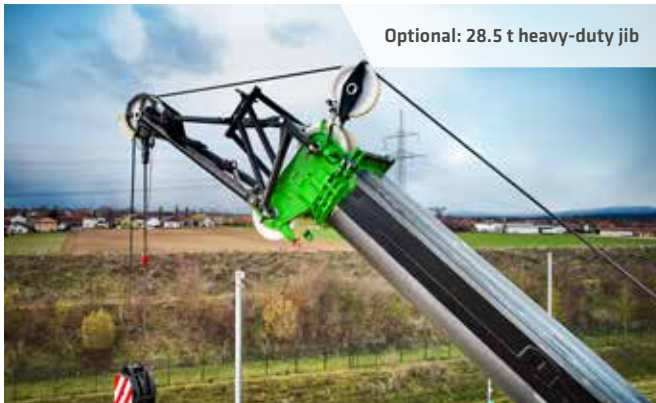
GEARBOX	Compact planetary gear with bent-axis hydraulic engine, integrated brake valves
SLEW BRAKE	Spring-loaded multi-disk brake
SLEWING RING	Large-scale, externally geared 1-row slewing ring
SLEWING SPEED	0-2 rpm, variable

CAB

CAB TYPE	Maxcab, tiltable 20°
CAB FEATURES	Comfortable operator cab with sliding door incl. sliding window, vibration damper, tinted safety glass, opening windshield, skylight, front and rear windshield wipers, 12 V/ 24 V connections, 2 floodlights integrated into the front of the roof. Air-sprung comfort operator's seat with seat heating and headrest. Sunblind for skylight. Parking brake via foot pedal.
OPTIONS	Hydraulically elevating cab type E270, can elevate up to 2.70 m and tilt by 30°, incl. platform next to cab Auxiliary heating system with timer Activated-carbon filter for cab Bullet proof windshield Bullet proof skylight Protective roof grating FOPS protective roof grating Radio with USB and SD connections, MP3 and Bluetooth® functions



TECHNICAL DATA, EQUIPMENT



EQUIPMENT

BOOM 5-section with pulley head, hydraulically telescopic end-to-end from 11 to 42 m; swivel from 0° to 80° in approx. 50 seconds; complete telescopic extension in 240 sec.

CRANE SAFETY Latest generation of load moment monitoring with event recorder, clear operations panel showing all important data via the SENCON display, lifting limit switch, cable exit protection, pressure relief valves and pipe fracture protection
SENtrack telemetry system

CYLINDERS Hydraulic cylinders with high-quality sealing and guide elements

OPTIONS 8 m fly jib, load capacity 14.7 t at 0°, tiltable (0°, 20°, 40°), can be set up without auxiliary equipment, can be bolted to the basic boom when not in use

Fly jib extension to 15 m, 7 m extension, load capacity 5.7 t, tiltable (0°, 20°, 40°), can be bolted to basic boom when not in use

Auxiliary jib 7.2 t load capacity, 1-strand

28.5 t heavy-duty jib

Customized paint finish

Electro-hydraulic emergency unit

Radio remote control

Programmable working limit

Additional load charts accepted for 4° incline position (0.6° and 1.5° in series)

TECHNICAL DATA, EQUIPMENT

UNDERCARRIAGE



DESIGN	Crawler undercarriage T87/419 with removable traveling tracks
DRIVE	Travel drive with axial piston hydraulic engine, directly attached automatically functioning brake valve and compact planetary gears on each running gear side
PARKING BRAKE	Spring-loaded multi-disk brake
CRAWLER TRACKS	Maintenance-free tractor traveling gear with hydraulic track tension. Crawler carrier with 800 mm triple grouser shoes
SPEED	0 - 2.8 km/h
OPTIONS	Multi Base: Asymmetric track width adjustment Track shoes in the following equipment: 800 mm flat track shoes 900 mm triple grouser shoes 900 mm flat track shoes

WINCH



The winches are driven via high-pressure-regulated adjustable hydraulic engines, so there is always optimal pulling force speed control. Hydraulic lowering brake valves for sensitive, wear-free braking. Strong oil bath planetary gears, low-maintenance. Holding brakes spring-loaded, maintenance-free, low-wear, designed as multiple disc brakes running in oil bath, oil-cooled

72 kN tensile force (3rd position), cable speed 0 - 120 m/min., cable diameter 20 mm, max. cable length 180 m

SAFETY BRAKE Spring-loaded multi-disk brake

OPTIONEN 2nd winch: 72 kN tensile force (3rd position), cable speed 0 - 120 m/min., cable diameter 20 mm, max. cable length 180 m

OPERATING WEIGHT



MASS **approx. 90,500 kg**

with telescopic boom 42 m, 15 m fly jib, 50 t hook, 800 mm triple grouser shoes, 2 hoist winches, with hydraulic telescoping undercarriage, 28.3 t rear ballast, 6 t undercarriage ballast

NOTE Operating weight varies by model and equipment.

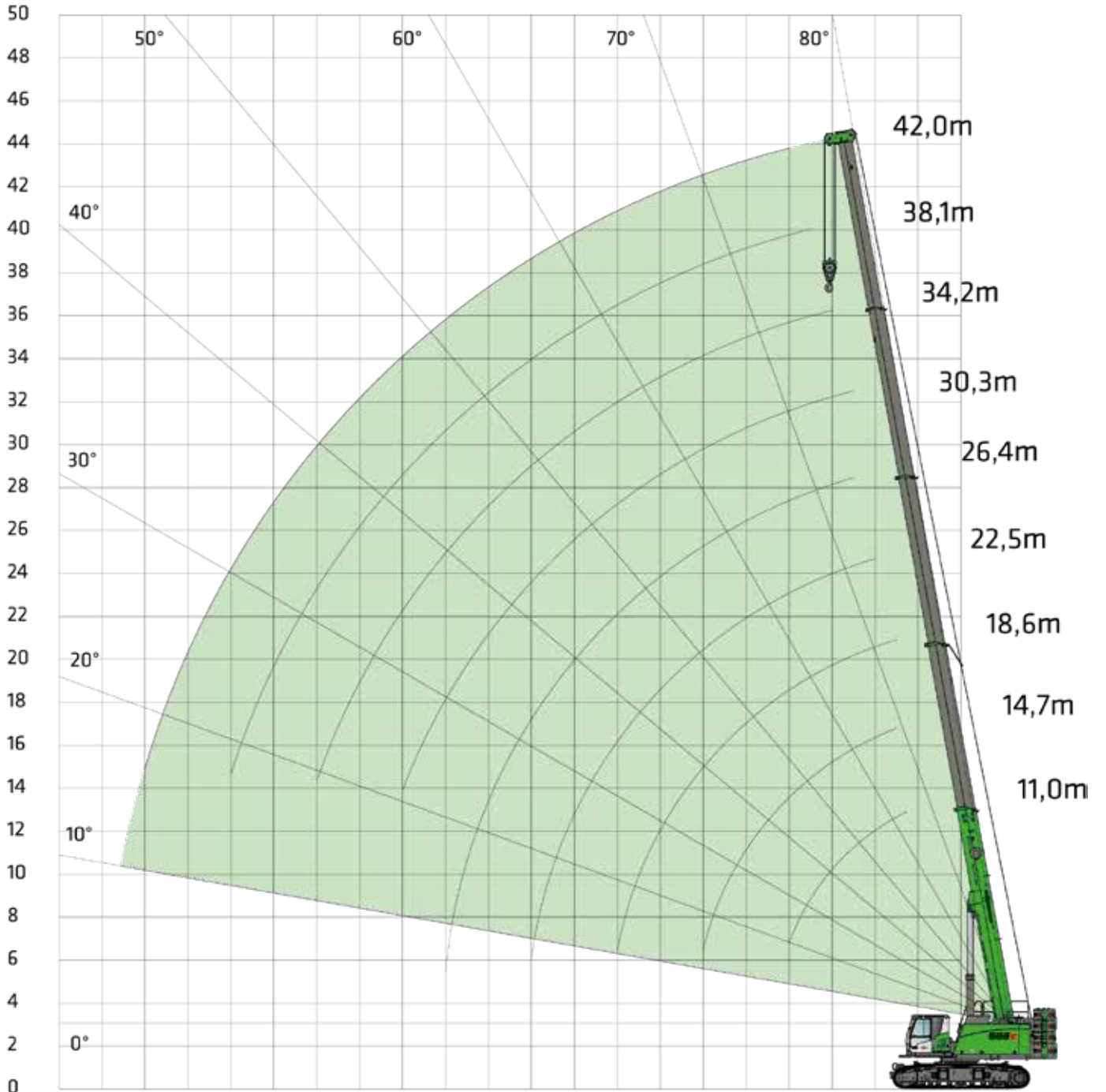
Subject to technical changes.



CRANE EQUIPMENT



MAIN BOOM
HA 42 m



CRANE EQUIPMENT

LOAD RATINGS



MAIN BOOM
HA 42 m



BALLAST
28.2 t



TRACK WIDTH
4.2 m



MAX. INCLINATION
0.6 °



UNDERCARRIAGE BALLAST
6.0 t

RADIUS [m]	BOOM LENGTH [m]									
	11.0	14.7	18.6	22.5	26.4	30.3	34.2	38.1	42.0	
2.5	80.0									
3.0	72.5	50.0	40.8							
4.0	62.4	50.0	41.3	31.5						
5.0	54.7	50.0	41.0	31.4	26.9	20.0				
6.0	48.3	45.1	38.6	29.8	26.9	20.0	17.6			
7.0	41.7	40.1	34.7	29.4	25.9	20.0	17.7	15.6		
8.0	33.4	32.6	31.5	27.9	24.4	19.9	17.8	15.3	10.7	
9.0		28.4	28.2	25.2	22.1	19.6	17.2	14.9	10.7	
10.0		24.1	23.9	23.0	20.2	18.2	16.2	14.4	10.7	
11.0		20.7	20.6	21.1	18.4	16.6	15.1	13.6	10.7	
12.0		18.1	18.0	18.3	17.0	15.4	14.1	12.7	10.5	
13.0			15.8	16.1	15.7	14.2	13.0	11.9	10.2	
14.0			14.0	14.3	14.5	13.3	12.2	11.3	9.9	
15.0			12.5	12.8	13.0	12.3	11.3	10.6	9.4	
16.0			11.1	11.5	11.7	11.5	10.6	10.0	9.0	
17.0				10.3	10.5	10.8	9.9	9.4	8.5	
18.0				9.3	9.5	9.9	9.4	8.9	8.1	
19.0				8.4	8.7	9.0	8.8	8.4	7.7	
20.0				7.7	7.9	8.3	8.3	7.9	7.3	
21.0					7.2	7.6	7.8	7.5	7.0	
22.0					6.5	6.9	7.4	7.1	6.7	
23.0					5.9	6.4	6.6	6.7	6.4	
24.0					5.4	5.8	6.1	6.4	6.1	
25.0						5.3	5.7	6.0	5.8	
26.0						4.9	5.2	5.7	5.5	
27.0							4.8	5.2	5.3	
28.0							4.4	4.8	5.0	
29.0							4.0	4.4	4.8	
30.0							3.6	4.1	4.6	
31.0								3.8	4.1	
32.0								3.5	3.8	
33.0								3.2	3.5	
34.0								2.9	3.3	
35.0									3.0	
36.0									2.8	
37.0									2.6	
38.0									2.4	
Number of falls	12	7	7	6	5	3	3	3	3	
I	0%	50%	100%	100%	100%	100%	100%	100%	100%	
II	0%	0%	0%	50%	100%	100%	100%	100%	100%	
III	0%	0%	0%	0%	0%	50%	100%	100%	100%	
IV	0%	0%	0%	0%	0%	0%	0%	50%	100%	

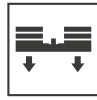
Notes:

1. Specified load ratings only apply when machine is level ($\pm 0.6^\circ$) and stable.
2. The load ratings are given in tons and apply for a 360° swing angle.
3. The load capacities correspond to EN 13000.
4. The weight of the load handling equipment (hooks, cable) should be deducted from the load ratings.
5. Load capacities must be limited or reduced in adverse conditions such as soft or uneven ground, slopes, wind, side loads, swinging loads, jolts or sudden stopping of loads, personnel and operators not experienced in handling loads.
6. Permissible cable pull per strand in crane mode for cable diameter 20 mm - 7200 kg.
7. The load ratings given are for reference only. Please refer to the tables in the operating instructions for the relevant applicable load ratings. Load ratings for inclines $> 4^\circ$ are available upon request.
8. The specifications on p. 8 for the reduction of the load capacity with the 15 m fly jib folded to the side apply to all HA charts. Capacity reductions for other equipment options should be requested separately.

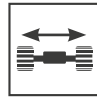
LOAD RATINGS



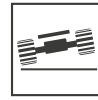
MAIN BOOM
HA 42 m



BALLAST
28.3 t



TRACK WIDTH
4.2 m



MAX. INCLINATION
1.5 °



UNDERCARRIAGE BALLAST
6.0 t

CRANE EQUIPMENT

RADIUS [m]	BOOM LENGTH [m]								
	11.0	14.7	18.6	22.5	26.4	30.3	34.2	38.1	42.0
2.5	80.0								
3.0	72.5	50.0	40.6						
4.0	62.4	50.0	40.6	31.5					
5.0	54.7	50.0	39.8	31.4	26.0	19.9			
6.0	48.3	45.1	37.2	29.3	24.8	19.6	16.6		
7.0	41.7	40.1	34.7	28.5	23.7	19.3	16.1	14.8	
8.0	33.4	33.6	31.5	27.2	22.7	18.7	15.6	14.4	10.8
9.0		27.6	27.5	25.2	21.7	18.0	15.1	14.1	10.8
10.0		23.4	23.3	23.0	20.2	17.3	14.7	13.7	10.8
11.0		20.1	20.1	20.4	18.4	16.6	14.2	13.1	10.8
12.0		17.5	17.5	17.8	17.0	15.4	13.6	12.6	10.5
13.0			15.3	15.6	15.7	14.2	13.0	12.0	10.2
14.0			13.6	13.9	14.1	13.3	12.2	11.3	9.9
15.0			12.0	12.4	12.6	12.3	11.3	10.6	9.5
16.0			10.7	11.1	11.3	11.5	10.6	10.0	9.0
17.0				10.0	10.2	10.6	10.0	9.4	8.5
18.0				9.0	9.2	9.6	9.4	8.9	8.1
19.0				8.1	8.3	8.7	8.8	8.4	7.7
20.0				7.3	7.6	8.0	8.3	7.9	7.3
21.0					6.9	7.3	7.6	7.5	7.0
22.0					6.3	6.7	7.0	7.1	6.7
23.0					5.6	6.1	6.4	6.7	6.4
24.0					5.1	5.6	5.9	6.2	6.1
25.0						5.1	5.4	5.8	5.8
26.0						4.6	4.9	5.3	5.5
27.0							4.5	4.9	5.3
28.0							4.1	4.5	4.9
29.0							3.8	4.2	4.6
30.0							3.4	3.8	4.2
31.0								3.5	3.9
32.0								3.2	3.6
33.0								2.9	3.3
34.0									3.1
35.0									2.8
36.0									2.6
37.0									2.4
38.0									2.2
Number of falls	12	7	7	6	5	3	3	3	3
I	0%	50%	100%	100%	100%	100%	100%	100%	100%
II	0%	0%	0%	50%	100%	100%	100%	100%	100%
III	0%	0%	0%	0%	0%	50%	100%	100%	100%
IV	0%	0%	0%	0%	0%	0%	0%	50%	100%

The load ratings must be reduced if there's a 15 m fly jib folded to the side of the main boom.

Load capacity reduction [kg]	11.0	14.7	18.6	22.5	26.4	30.3	34.2	38.1	42.0
	917	683	540	446	380	331	294	264	239

Tab. no.: 265601

LOAD RATINGS



MAIN BOOM
HA 42 m



BALLAST
14.8 t



TRACK WIDTH
4.2 m



MAX. INCLINATION
1.5 °



UNDERCARRIAGE BALLAST
6.0 t

AUSLADUNG [m]	BOOM LENGTH [m]								
	11.0	14.7	18.6	22.5	26.4	30.3	34.2	38.1	42.0
3.0	66.9	41.7							
4.0	57.3	41.7	40.6	28.6					
5.0	50.0	41.7	39.8	28.9	25.0	19.9			
6.0	39.0	37.5	34.5	29.3	24.8	19.6			
7.0	29.9	29.4	28.1	26.9	23.7	19.3	16.1	13.4	
8.0	23.9	23.5	23.2	22.5	21.6	18.7	15.6	13.0	10.3
9.0		19.2	19.1	19.1	18.4	18.0	15.1	12.7	10.3
10.0		16.1	16.0	16.3	15.9	15.8	14.7	12.3	10.3
11.0		13.6	13.6	13.9	13.9	13.9	13.7	12.0	10.3
12.0		11.6	11.6	11.9	12.1	12.2	12.1	11.7	10.1
13.0			10.0	10.3	10.5	10.8	10.8	11.0	9.9
14.0			8.7	9.0	9.2	9.6	9.7	9.9	9.7
15.0			7.6	7.9	8.1	8.5	8.6	8.9	9.0
16.0			6.5	6.9	7.1	7.5	7.8	8.0	8.2
17.0				6.0	6.3	6.7	7.0	7.3	7.4
18.0				5.2	5.5	5.9	6.2	6.6	6.8
19.0				4.5	4.8	5.2	5.6	6.0	6.2
20.0				3.9	4.2	4.6	5.0	5.4	5.6
21.0					3.6	4.1	4.4	4.9	5.2
22.0					3.1	3.6	3.9	4.4	4.7
23.0					2.6	3.1	3.5	3.9	4.3
24.0					2.2	2.7	3.0	3.5	3.8
25.0						2.3	2.7	3.1	3.5
26.0						2.0	2.3	2.8	3.1
27.0							2.0	2.4	2.8
28.0							1.7	2.2	2.5
29.0							1.4	1.9	2.2
30.0							1.2	1.6	2.0
31.0								1.4	1.7
32.0								1.2	1.5
33.0								1.0	1.3
34.0									1.1
35.0									0.9
36.0									0.8
37.0									0.6
Number of falls	10	6	6	5	4	3	3	3	3
I	0%	50%	100%	100%	100%	100%	100%	100%	100%
II	0%	0%	0%	50%	100%	100%	100%	100%	100%
III	0%	0%	0%	0%	0%	50%	100%	100%	100%
IV	0%	0%	0%	0%	0%	0%	0%	50%	100%

Tab.no.: 265501

CRANE EQUIPMENT

LOAD RATINGS



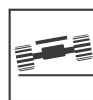
MAIN BOOM
HA 42 m



BALLAST
0.0 t



TRACK WIDTH
4.2 m



MAX. INCLINATION
1.5 °



UNDERCARRIAGE BALLAST
0.0 t

CRANE EQUIPMENT

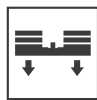
RADIUS [m]	BOOM LENGTH [m]								
	11.0	14.7	18.6	22.5	26.4	30.3	34.2	38.1	42.0
3.0	64.6	41.7							
4.0	39.7	33.9	30.1	27.7					
5.0	27.7	24.1	21.6	20.3	19.0	18.3			
6.0	20.0	18.0	16.2	15.4	14.7	14.3	13.9		
7.0	14.8	14.0	12.6	12.1	11.6	11.4	11.2	11.2	
8.0	11.4	11.0	9.9	9.6	9.3	9.3	9.2	9.3	9.3
9.0		8.5	7.9	7.7	7.4	7.6	7.6	7.7	7.8
10.0		6.7	6.3	6.2	6.0	6.2	6.2	6.5	6.6
11.0		5.2	5.0	5.0	4.9	5.1	5.2	5.4	5.6
12.0		4.0	3.9	3.9	3.9	4.1	4.3	4.6	4.8
13.0			3.0	3.1	3.1	3.3	3.5	3.8	4.1
14.0			2.1	2.3	2.4	2.7	2.9	3.2	3.4
15.0			1.4	1.7	1.7	2.1	2.3	2.6	2.9
16.0			0.8	1.2	1.2	1.5	1.8	2.1	2.4
17.0				0.7	0.7	1.1	1.3	1.7	2.0
18.0						0.7	0.9	1.3	1.6
19.0							0.6	1.0	1.3
20.0								0.6	0.9
21.0								0.4	0.7
22.0									0.4
Number of falls	6	6	4	4	4	4	2	2	2
I	0%	50%	100%	100%	100%	100%	100%	100%	100%
II	0%	0%	0%	50%	100%	100%	100%	100%	100%
III	0%	0%	0%	0%	0%	50%	100%	100%	100%
IV	0%	0%	0%	0%	0%	0%	0%	50%	100%

Tab.no.: 255401

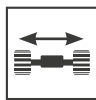
LOAD RATINGS



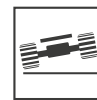
MAIN BOOM
HA 42 m



BALLAST
28.3 t



TRACK WIDTH
3.44 m



MAX. INCLINATION
0.6°



UNDERCARRIAGE BALLAST
6.0 t

RADIUS [m]	BOOM LENGTH [m]								
	11.0	14.7	18.6	22.5	26.4	30.3	34.2	38.1	42.0
7.0	36.1	35.7	34.7	29.4	25.9	20.0	17.7	15.6	
8.0	29.4	29.0	28.8	27.9	24.4	19.9	17.8	15.3	10.7
9.0		24.2	24.0	24.3	22.1	19.6	17.2	14.9	10.7
10.0		20.5	20.4	20.7	20.2	18.2	16.2	14.4	10.7
11.0		17.7	17.6	17.9	18.1	16.6	15.1	13.6	10.7
12.0		15.3	15.3	15.6	15.8	15.4	14.1	12.7	10.5
13.0			13.4	13.7	13.9	14.2	13.0	11.9	10.2
14.0			11.9	12.2	12.4	12.8	12.2	11.3	9.9
15.0			10.5	10.8	11.0	11.4	11.3	10.6	9.4
16.0			9.3	9.7	9.9	10.3	10.6	10.0	9.0
17.0				8.7	8.9	9.3	9.6	9.4	8.5
18.0				7.8	8.0	8.4	8.7	8.9	8.1
19.0				7.0	7.2	7.6	7.9	8.4	7.7
20.0				6.3	6.5	6.9	7.2	7.6	7.3
21.0					5.9	6.3	6.6	7.0	7.0
22.0					5.3	5.7	6.0	6.4	6.7
23.0					4.7	5.2	5.5	5.9	6.2
24.0					4.2	4.7	5.0	5.4	5.7
25.0						4.2	4.6	5.0	5.3
26.0						3.8	4.1	4.6	4.9
27.0							3.7	4.2	4.5
28.0							3.4	3.8	4.2
29.0							3.1	3.5	3.9
30.0							2.7	3.2	3.5
31.0								2.9	3.3
32.0								2.6	3.0
33.0								2.4	2.7
34.0								2.1	2.5
35.0									2.3
36.0									2.1
37.0									1.9
38.0									1.7
Number of falls	6	5	5	5	4	3	3	3	3
I	0%	50%	100%	100%	100%	100%	100%	100%	100%
II	0%	0%	0%	50%	100%	100%	100%	100%	100%
III	0%	0%	0%	0%	0%	50%	100%	100%	100%
IV	0%	0%	0%	0%	0%	0%	0%	50%	100%

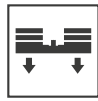
Tab.no.: 162601

CRANE EQUIPMENT

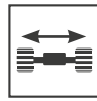
LOAD RATINGS



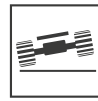
MAIN BOOM
HA 42 m



BALLAST
28.3 t



TRACK WIDTH
3.44 m



MAX. INCLINATION
1.5 °



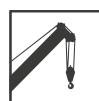
UNDERCARRIAGE BALLAST
6.0 t

CRANE EQUIPMENT

RADIUS [m]	BOOM LENGTH [m]								
	11.0	14.7	18.6	22.5	26.4	30.3	34.2	38.1	42.0
7.0	35.7	35.3	34.7	28.5	23.7	19.3	16.1	13.4	
8.0	29.1	28.7	28.6	27.2	22.7	18.7	15.6	13.0	10.3
9.0		23.9	23.8	24.1	21.7	18.0	15.1	12.7	10.3
10.0		20.3	20.2	20.5	20.2	17.3	14.7	12.3	10.3
11.0		17.4	17.4	17.7	17.9	16.6	14.2	12.0	10.3
12.0		15.1	15.1	15.4	15.6	15.4	13.6	11.7	10.1
13.0			13.3	13.6	13.8	14.2	13.0	11.4	9.9
14.0			11.7	12.0	12.2	12.6	12.2	11.0	9.7
15.0			10.4	10.7	10.9	11.3	11.3	10.6	9.3
16.0			9.2	9.5	9.7	10.1	10.4	10.0	8.9
17.0				8.6	8.8	9.1	9.4	9.4	8.5
18.0				7.7	7.9	8.3	8.6	8.9	8.1
19.0				6.9	7.1	7.5	7.8	8.2	7.7
20.0				6.2	6.4	6.8	7.1	7.5	7.3
21.0					5.8	6.2	6.5	6.9	7.0
22.0					5.2	5.6	5.9	6.3	6.7
23.0					4.6	5.1	5.4	5.8	6.1
24.0					4.1	4.6	4.9	5.3	5.7
25.0						4.1	4.5	4.9	5.2
26.0						3.7	4.1	4.5	4.8
27.0							3.7	4.1	4.5
28.0							3.3	3.7	4.1
29.0							3.0	3.4	3.8
30.0							2.7	3.1	3.5
31.0								2.8	3.2
32.0								2.6	2.9
33.0								2.3	2.7
34.0									2.4
35.0									2.2
36.0									2.0
37.0									1.8
Strangzahl	6	5	5	4	3	3	3	3	3
I	0%	50%	100%	100%	100%	100%	100%	100%	100%
II	0%	0%	0%	50%	100%	100%	100%	100%	100%
III	0%	0%	0%	0%	0%	50%	100%	100%	100%
IV	0%	0%	0%	0%	0%	0%	0%	50%	100%

Tab.-no: 262601

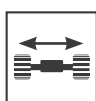
LOAD RATINGS



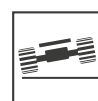
MAIN BOOM
HA 42 m



BALLAST
14.8 t



TRACK WIDTH
3.44 m



MAX. INCLINATION
1.5 °



UNDERCARRIAGE BALLAST
6.0 t

RADIUS [m]	BOOM LENGTH [m]								
	11.0	14.7	18.6	22.5	26.4	30.3	34.2	38.1	42.0
3.0	66.9	41.7							
4.0	57.3	41.7	40.6	28.6					
5.0	43.9	39.6	36.3	28.9	25.0	19.9			
6.0	32.2	31.1	28.6	27.3	24.8	19.6	16.6		
7.0	25.0	24.5	23.4	22.4	21.5	19.3	16.1	13.4	
8.0	20.1	19.7	19.4	18.8	18.1	17.8	15.6	13.0	10.3
9.0		16.1	16.0	15.9	15.4	15.3	15.1	12.7	10.3
10.0		13.5	13.4	13.6	13.3	13.2	13.1	12.3	10.3
11.0		11.4	11.3	11.6	11.5	11.5	11.4	11.6	10.3
12.0		9.7	9.7	10.0	10.0	10.1	10.1	10.3	10.1
13.0			8.3	8.6	8.7	8.9	8.9	9.1	9.3
14.0			7.1	7.4	7.6	7.9	7.9	8.2	8.3
15.0			6.1	6.4	6.6	6.9	7.1	7.3	7.5
16.0			5.1	5.5	5.8	6.1	6.3	6.5	6.8
17.0				4.7	5.0	5.4	5.6	5.9	6.1
18.0				4.0	4.3	4.7	5.0	5.3	5.5
19.0				3.4	3.7	4.1	4.4	4.7	5.0
20.0				2.8	3.1	3.6	3.9	4.3	4.5
21.0					2.6	3.1	3.4	3.8	4.1
22.0					2.2	2.6	3.0	3.4	3.7
23.0					1.8	2.2	2.6	3.0	3.3
24.0					1.4	1.9	2.2	2.6	3.0
25.0						1.5	1.9	2.3	2.7
26.0						1.2	1.6	2.0	2.3
27.0							1.3	1.7	2.1
28.0							1.0	1.4	1.8
29.0							0.8	1.2	1.6
30.0							0.5	1.0	1.3
31.0								0.8	1.1
32.0								0.6	0.9
33.0								0.4	0.7
34.0									0.6
35.0									0.4
Number of falls	10	6	6	4	4	3	3	3	3
I	0%	50%	100%	100%	100%	100%	100%	100%	100%
II	0%	0%	0%	50%	100%	100%	100%	100%	100%
III	0%	0%	0%	0%	0%	50%	100%	100%	100%
IV	0%	0%	0%	0%	0%	0%	0%	50%	100%

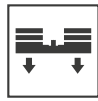
Tab.no. 262501

CRANE EQUIPMENT

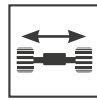
LOAD RATINGS



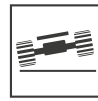
MAIN BOOM
HA 42 m



BALLAST
0.0 t



TRACK WIDTH
3.44 m



MAX. INCLINATION
1.5 °



UNDERCARRIAGE BALLAST
0.0 t

CRANE EQUIPMENT

RADIUS [m]	BOOM LENGTH [m]								
	11.0	14.7	18.6	22.5	26.4	30.3	34.2	38.1	42.0
3.0	47.6	39.8							
4.0	30.5	26.1	23.3	21.5					
5.0	21.7	18.7	16.8	15.8	14.9	14.4			
6.0	15.8	14.0	12.5	11.9	11.4	11.2	10.9		
7.0	11.7	10.7	9.6	9.3	8.9	8.9	8.7	8.8	
8.0	8.9	8.4	7.4	7.2	7.0	7.1	7.0	7.2	7.2
9.0		6.5	5.8	5.6	5.5	5.6	5.7	5.9	6.1
10.0		5.0	4.4	4.4	4.3	4.5	4.6	4.8	5.0
11.0		3.7	3.3	3.3	3.3	3.6	3.7	4.0	4.2
12.0		2.6	2.4	2.5	2.5	2.8	2.9	3.3	3.5
13.0			1.7	1.8	1.8	2.1	2.3	2.6	2.9
14.0			1.0	1.1	1.2	1.5	1.7	2.1	2.3
15.0			0.4	0.6	0.6	1.0	1.2	1.6	1.9
16.0						0.5	0.8	1.2	1.5
17.0							0.4	0.8	1.1
18.0								0.4	0.7
19.0									0.4
Number of falls	6	4	3	3	2	2	2	2	2
I	0%	50%	100%	100%	100%	100%	100%	100%	100%
II	0%	0%	0%	50%	100%	100%	100%	100%	100%
III	0%	0%	0%	0%	0%	50%	100%	100%	100%
IV	0%	0%	0%	0%	0%	0%	0%	50%	100%

Tab.no.: 252401

LOAD RATINGS



MAIN BOOM
HA 42 m



BALLAST
0.0 t



TRACK WIDTH
2.68 m



MAX. INCLINATION
1.5 °



UNDERCARRIAGE BALLAST
0.0 t

RADIUS [m]	BOOM LENGTH [m]								
	11.0	14.7	18.6	22.5	26.4	30.3	34.2	38.1	42.0
3.0	32.3	27.2							
4.0	21.4	18.2	16.2	15.0					
5.0	15.3	13.0	11.6	11.0	10.3	10.1			
6.0	11.3	9.6	8.4	8.1	7.7	7.7	7.6		
7.0	8.3	7.1	6.3	6.1	5.8	5.9	5.9	6.0	
8.0	6.2	5.3	4.6	4.5	4.3	4.5	4.6	4.8	4.9
9.0		3.9	3.3	3.3	3.2	3.4	3.5	3.8	4.0
10.0		2.8	2.2	2.3	2.2	2.5	2.7	3.0	3.2
11.0		1.9	1.4	1.5	1.5	1.8	1.9	2.3	2.5
12.0		1.0	0.7	0.8	0.8	1.1	1.3	1.7	1.9
13.0						0.6	0.8	1.2	1.4
14.0								0.7	1.0
15.0									0.6
Number of falls	6	4	3	3	2	2	2	2	2
I	0%	50%	100%	100%	100%	100%	100%	100%	100%
II	0%	0%	0%	50%	100%	100%	100%	100%	100%
III	0%	0%	0%	0%	0%	50%	100%	100%	100%
IV	0%	0%	0%	0%	0%	0%	0%	50%	100%

Tab.no.: 251401

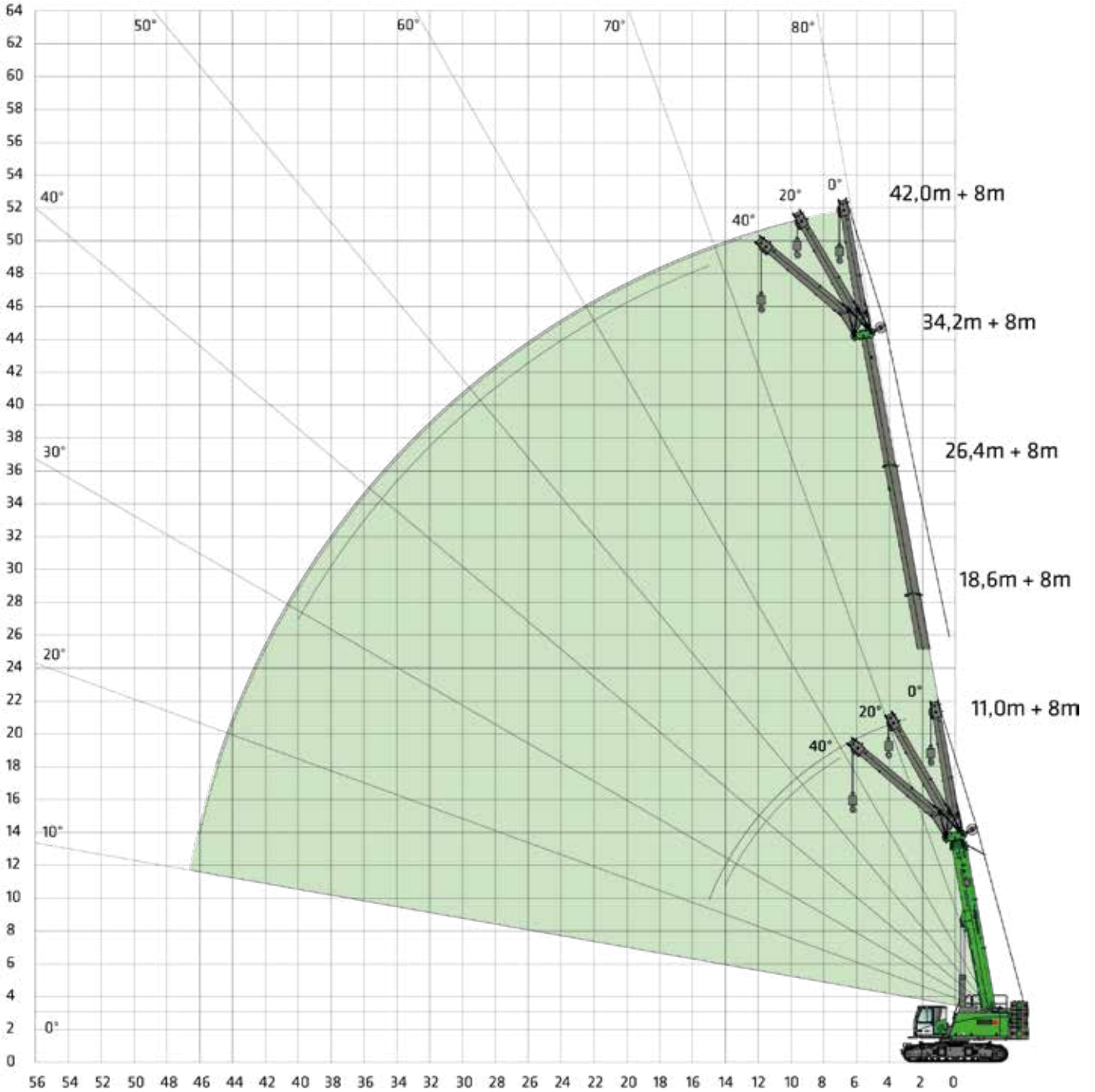
CRANE EQUIPMENT

CRANE EQUIPMENT



FLY JIB
SA 8 m

CRANE EQUIPMENT



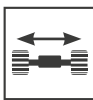
LOAD RATINGS



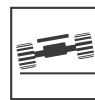
FLY JIB
SA 8 m



BALLAST
28.3 t



TRACK WIDTH
4.2 m



MAX. INCLINATION
0.6°



UNDERCARRIAGE BALLAST
6.0 t

RADIUS [m]	BOOM LENGTH [m]														
	11.0			18.6			26.4			34.2			42.0		
	8.0			8.0			8.0			8.0			8.0		
	0°	20°	40°	0°	20°	40°	0°	20°	40°	0°	20°	40°	0°	20°	40°
3.0	14.7			14.6											
4.0	13.6	10.0		14.5											
5.0	12.4	9.4		14.1			13.6								
6.0	11.4	8.9		13.2	9.5		13.0								
7.0	10.5	8.4	6.9	12.3	9.1		12.4			10.5					
8.0	9.7	8.0	6.6	11.6	8.7	6.9	11.8	8.8		10.2					
9.0	9.1	7.6	6.3	11.0	8.4	6.7	11.3	8.5		10.0			6.0		
10.0	8.5	7.2	6.1	10.4	8.1	6.5	10.8	8.2	6.5	9.8	7.9		6.0		
11.0	8.0	6.9	5.9	9.9	7.8	6.3	10.4	8.0	6.4	9.5	7.7		6.0		
12.0	7.5	6.6	5.7	9.4	7.6	6.1	10.0	7.8	6.2	9.3	7.5	6.0	6.0		
13.0	7.1	6.3	5.6	9.0	7.3	6.0	9.6	7.6	6.1	9.1	7.3	5.9	6.0	6.3	
14.0	6.7	6.1	5.5	8.6	7.0	5.9	9.2	7.4	6.0	8.8	7.2	5.8	6.0	6.2	
15.0	6.3	6.0		8.2	6.8	5.7	8.9	7.2	5.9	8.5	7.0	5.7	6.0	6.2	5.3
16.0				7.9	6.6	5.6	8.6	7.1	5.8	8.2	6.9	5.6	6.0	6.1	5.2
17.0				7.6	6.4	5.5	8.3	6.9	5.7	7.8	6.8	5.6	6.0	5.9	5.2
18.0				7.2	6.3	5.5	8.1	6.7	5.6	7.4	6.7	5.5	5.8	5.7	5.1
19.0				6.9	6.1	5.4	7.8	6.6	5.5	7.0	6.5	5.4	5.5	5.4	5.0
20.0				6.7	6.0	5.3	7.6	6.4	5.4	6.7	6.4	5.3	5.3	5.2	5.0
21.0				6.4	5.9		7.3	6.3	5.3	6.3	6.3	5.3	5.0	5.0	4.9
22.0				6.2	5.8		7.1	6.1	5.3	6.0	6.0	5.2	4.8	4.8	4.8
23.0							6.8	6.0	5.2	5.7	5.8	5.1	4.6	4.6	4.6
24.0							6.1	5.9	5.1	5.4	5.5	5.1	4.4	4.4	4.4
25.0							5.7	5.8	5.1	5.1	5.2	5.0	4.2	4.2	4.2
26.0							5.2	5.5	5.1	4.8	4.9	4.9	4.1	4.0	4.1
27.0							4.8	5.0		4.6	4.7	4.8	3.9	3.9	3.9
28.0							4.4	4.6		4.3	4.4	4.5	3.7	3.7	3.8
29.0							4.0	4.2		4.1	4.2	4.3	3.6	3.6	3.6
30.0							3.7	3.8		3.9	4.0	4.1	3.4	3.4	3.5
31.0										3.7	3.8	3.9	3.3	3.3	3.3
32.0										3.4	3.6	3.7	3.2	3.2	3.2
33.0										3.1	3.4	3.5	3.0	3.0	3.1
34.0										2.8	3.0		2.9	2.9	3.0
35.0										2.6	2.7		2.8	2.8	2.8
36.0										2.3	2.5		2.6	2.7	2.7
37.0										2.1	2.2		2.5	2.6	2.6
38.0											2.0		2.4	2.4	2.5
39.0													2.2	2.3	2.4
40.0													2.1	2.2	2.2
41.0													1.8	2.1	
42.0													1.7	1.8	
43.0													1.5	1.6	
44.0													1.4	1.4	
45.0													1.2	1.3	
46.0														1.1	
Number of falls	2		2	2		2	2		2	2		2	2		2
I	0%			100%			100%			100%			100%		
II	0%			0%			100%			100%			100%		
III	0%			0%			0%			100%			100%		
IV	0%			0%			0%			0%			100%		

CRANE EQUIPMENT

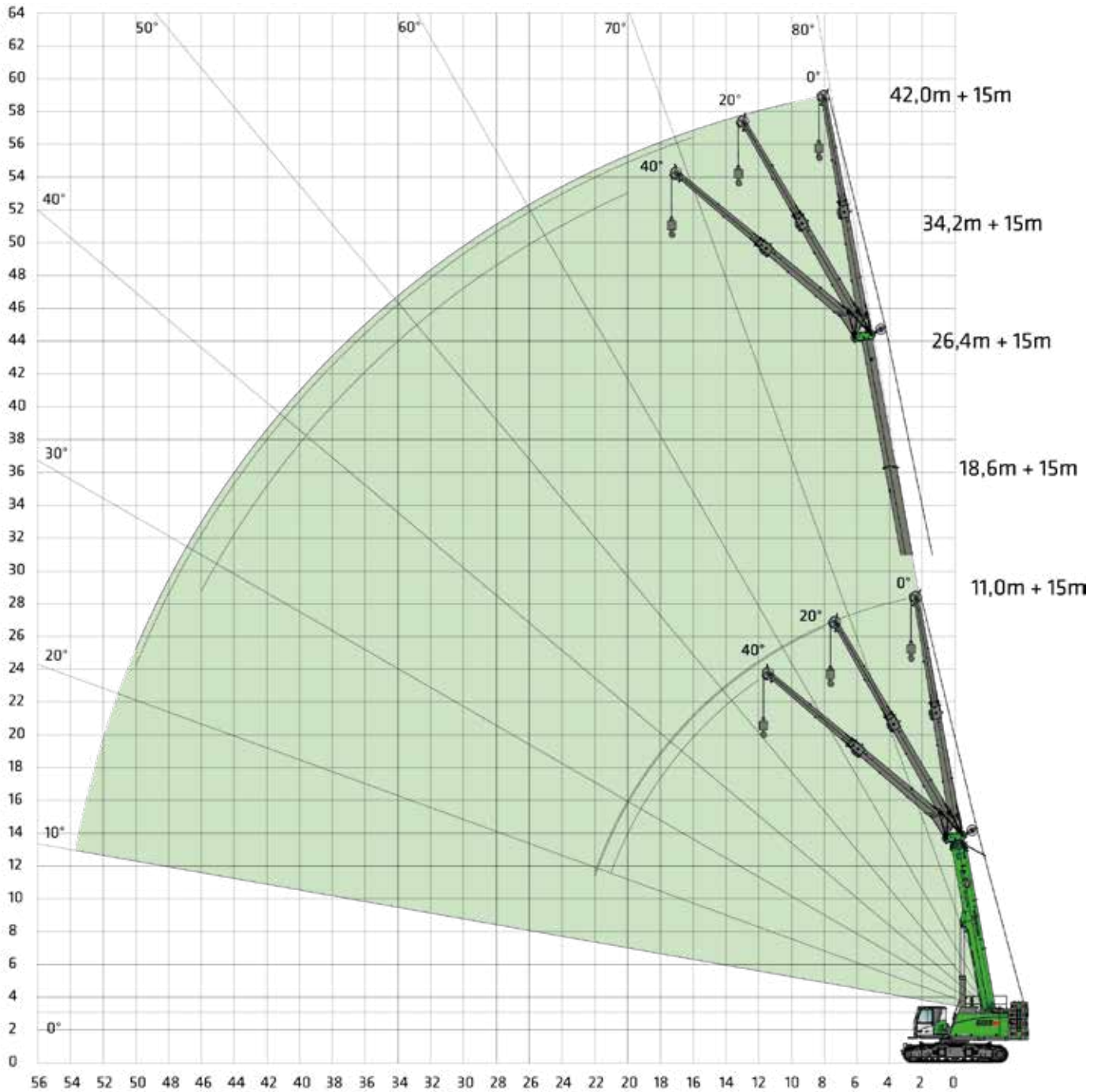
Tab.no.: 16564x

CRANE EQUIPMENT



FLY JIB
SA 15 m

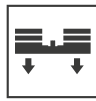
CRANE EQUIPMENT



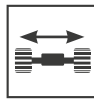
LOAD RATINGS



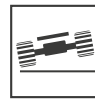
FLY JIB
SA 15 m



BALLAST
28.3 t



TRACK WIDTH
4.2 m



MAX. INCLINATION
0.6°



UNDERCARRIAGE BALLAST
6.0 t

RADIUS [m]	BOOM LENGTH [m]														
	11.0			18.6			26.4			34.2			42.0		
	0°	20°	40°	0°	20°	40°	0°	20°	40°	0°	20°	40°	0°	20°	40°
3.0	5.7														
4.0	5.6														
5.0	5.5			5.1											
6.0	5.4			5.0			5.0								
7.0	5.2			4.9			4.9								
8.0	5.0	4.1		4.7			4.8			4.3					
9.0	4.8	3.9		4.6			4.8			4.3					
10.0	4.5	3.7		4.4	3.9		4.7			4.2			2.8		
11.0	4.2	3.5		4.3	3.8		4.6			4.2			2.8		
12.0	4.0	3.4	2.9	4.1	3.6		4.5	3.7		4.1			2.8		
13.0	3.8	3.2	2.8	3.9	3.5		4.4	3.6		4.0			2.8		
14.0	3.6	3.1	2.7	3.7	3.4	2.8	4.3	3.5		4.0	3.5		2.8		
15.0	3.4	3.0	2.6	3.6	3.3	2.8	4.2	3.4		3.9	3.4		2.8		
16.0	3.2	2.9	2.6	3.4	3.2	2.7	4.1	3.3	2.7	3.8	3.3		2.8	3.0	
17.0	3.1	2.8	2.5	3.3	3.1	2.6	4.1	3.2	2.7	3.8	3.2		2.8	3.0	
18.0	2.9	2.7	2.5	3.2	3.0	2.6	4.0	3.1	2.6	3.7	3.2	2.6	2.8	2.9	
19.0	2.8	2.6	2.4	3.1	2.9	2.6	3.8	3.1	2.6	3.7	3.1	2.6	2.8	2.9	
20.0	2.7	2.5	2.4	3.0	2.8	2.5	3.7	3.0	2.6	3.6	3.0	2.6	2.8	2.9	2.5
21.0	2.6	2.5	2.4	2.9	2.7	2.5	3.6	2.9	2.5	3.5	3.0	2.5	2.8	2.8	2.4
22.0	2.5	2.4		2.8	2.7	2.4	3.4	2.8	2.5	3.5	2.9	2.5	2.8	2.8	2.4
23.0				2.7	2.6	2.4	3.3	2.8	2.5	3.4	2.8	2.5	2.8	2.7	2.4
24.0				2.6	2.6	2.4	3.2	2.7	2.4	3.3	2.8	2.4	2.8	2.7	2.3
25.0				2.5	2.5	2.4	3.1	2.7	2.4	3.3	2.7	2.4	2.8	2.6	2.3
26.0				2.5	2.5	2.4	3.0	2.6	2.4	3.2	2.7	2.4	2.8	2.6	2.3
27.0				2.4	2.4	2.4	3.0	2.6	2.4	3.1	2.6	2.4	2.8	2.6	2.3
28.0				2.3	2.4		2.9	2.5	2.3	3.1	2.6	2.3	2.7	2.5	2.2
29.0				2.3	2.4		2.8	2.5	2.3	3.0	2.5	2.3	2.7	2.5	2.2
30.0					2.4		2.7	2.5	2.3	2.9	2.5	2.3	2.7	2.4	2.2
31.0							2.7	2.4	2.3	2.8	2.5	2.3	2.6	2.4	2.2
32.0							2.6	2.4	2.3	2.8	2.4	2.3	2.6	2.4	2.2
33.0							2.5	2.4	2.3	2.7	2.4	2.2	2.6	2.3	2.2
34.0							2.5	2.3	2.3	2.7	2.4	2.2	2.5	2.3	2.1
35.0							2.4	2.3		2.6	2.3	2.2	2.5	2.3	2.1
36.0							2.4	2.3		2.6	2.3	2.2	2.5	2.3	2.1
37.0								2.3		2.5	2.3	2.2	2.4	2.2	2.1
38.0								2.3		2.5	2.3	2.2	2.4	2.2	2.1
39.0										2.4	2.2	2.2	2.3	2.2	2.1
40.0										2.1	2.2	2.2	2.2	2.2	2.1
41.0										1.9	2.2		2.1	2.1	2.1
42.0										1.8	2.0		2.0	2.1	2.1
43.0										1.6	1.8		2.0	2.0	2.0
44.0										1.5	1.6		1.9	1.9	2.0
45.0											1.4		1.6	1.9	1.9
46.0													1.5	1.8	1.8
47.0													1.2	1.4	
48.0													1.0	1.2	
49.0													0.8	0.9	
50.0													0.6	0.6	
Number of falls	2	2	2	2	2	2	2	2	2	2	2	2	2	2	2
I		0%			100%			100%			100%			100%	
II		0%			0%			100%			100%			100%	
III		0%			0%			0%			100%			100%	
IV		0%			0%			0%			0%			100%	

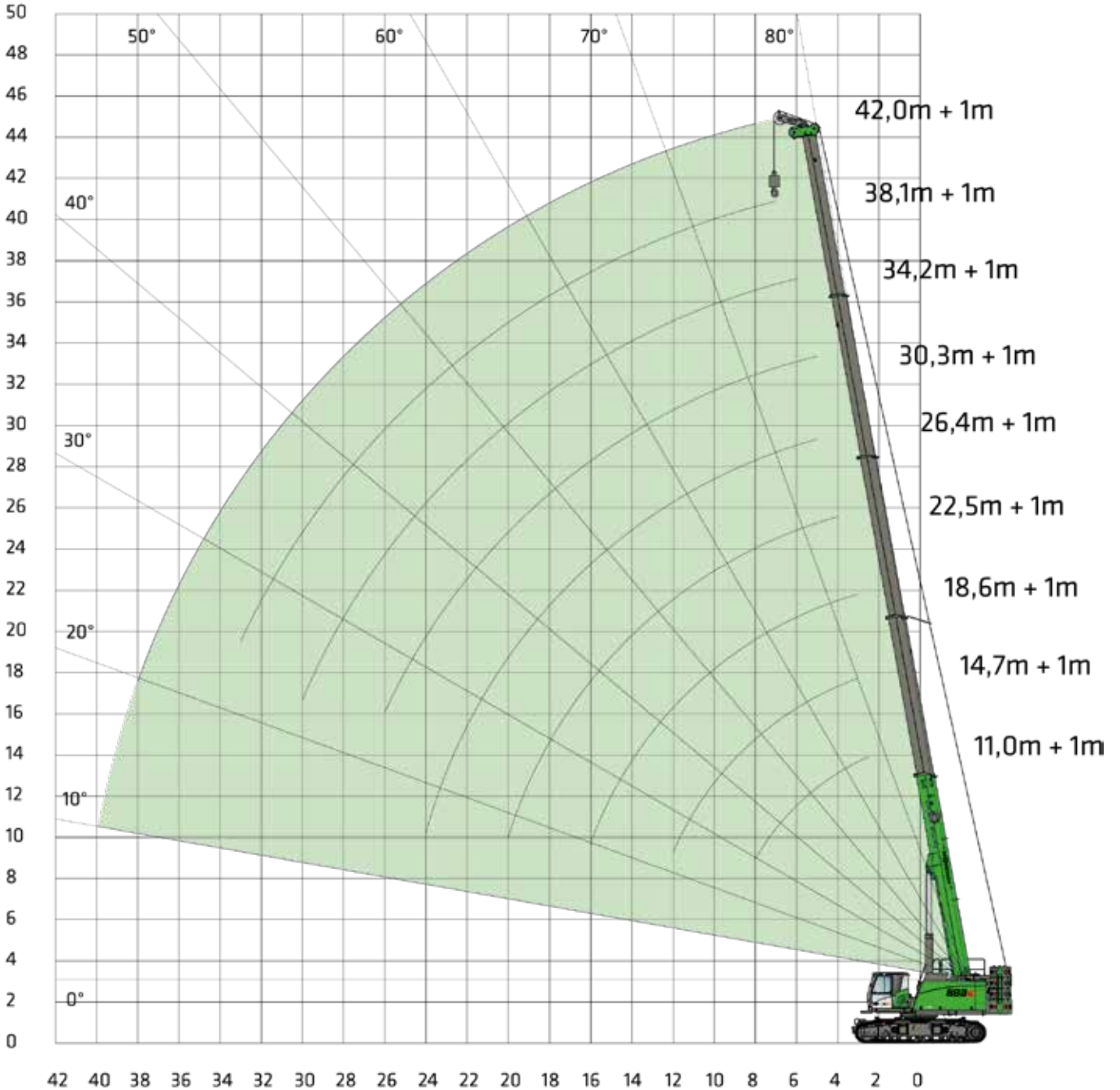
CRANE EQUIPMENT

CRANE EQUIPMENT

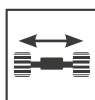
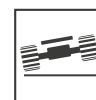


AUXILIARY JIB
HA-S

CRANE EQUIPMENT



LOAD RATINGS

AUXILIARY JIB
HA-SBALLAST
28.3 tTRACK WIDTH
4.2 mMAX. INCLINATION
1.5 °UNDERCARRIAGE BALLAST
6.0 t

RADIUS [m]	BOOM LENGTH [m]								
	11.0	14.7	18.6	22.5	26.4	30.3	34.2	38.1	42.0
2.5	7.2								
3.0	7.2	7.2	7.2						
4.0	7.2	7.2	7.2	7.2					
5.0	7.2	7.2	7.2	7.2	7.2	7.2			
6.0	7.2	7.2	7.2	7.2	7.2	7.2	7.2		
7.0	7.2	7.2	7.2	7.2	7.2	7.2	7.2	7.2	
8.0	7.2	7.2	7.2	7.2	7.2	7.2	7.2	7.2	7.2
9.0		7.2	7.2	7.2	7.2	7.2	7.2	7.2	7.2
10.0		7.2	7.2	7.2	7.2	7.2	7.2	7.2	7.2
11.0		7.2	7.2	7.2	7.2	7.2	7.2	7.2	7.2
12.0		7.2	7.2	7.2	7.2	7.2	7.2	7.2	7.2
13.0			7.2	7.2	7.2	7.2	7.2	7.2	7.2
14.0			7.2	7.2	7.2	7.2	7.2	7.2	7.2
15.0			7.2	7.2	7.2	7.2	7.2	7.2	7.2
16.0			7.2	7.2	7.2	7.2	7.2	7.2	7.2
17.0				7.2	7.2	7.2	7.2	7.2	7.2
18.0				7.2	7.2	7.2	7.2	7.2	7.2
19.0				7.2	7.2	7.2	7.2	7.2	7.2
20.0				7.2	7.2	7.2	7.2	7.2	7.2
21.0					7.0	7.2	7.2	7.2	7.0
22.0					6.4	6.8	7.1	7.1	6.7
23.0					5.8	6.2	6.5	6.7	6.4
24.0					5.2	5.7	6.0	6.4	6.1
25.0						5.2	5.5	5.8	5.8
26.0						4.7	5.1	5.3	5.5
27.0							4.6	4.9	5.3
28.0							4.2	4.5	5.0
29.0							3.9	4.2	4.5
30.0							3.5	3.9	4.2
31.0								3.5	3.9
32.0								3.2	3.6
33.0								3.0	3.3
34.0									3.1
35.0									2.8
36.0									2.6
37.0									2.4
38.0									2.4
Number of falls	1	1	1	1	1	1	1	1	1
I	0%	50%	100%	100%	100%	100%	100%	100%	100%
II	0%	0%	0%	50%	100%	100%	100%	100%	100%
III	0%	0%	0%	0%	0%	50%	100%	100%	100%
IV	0%	0%	0%	0%	0%	0%	0%	50%	100%

Tab.-Nr.: 265631

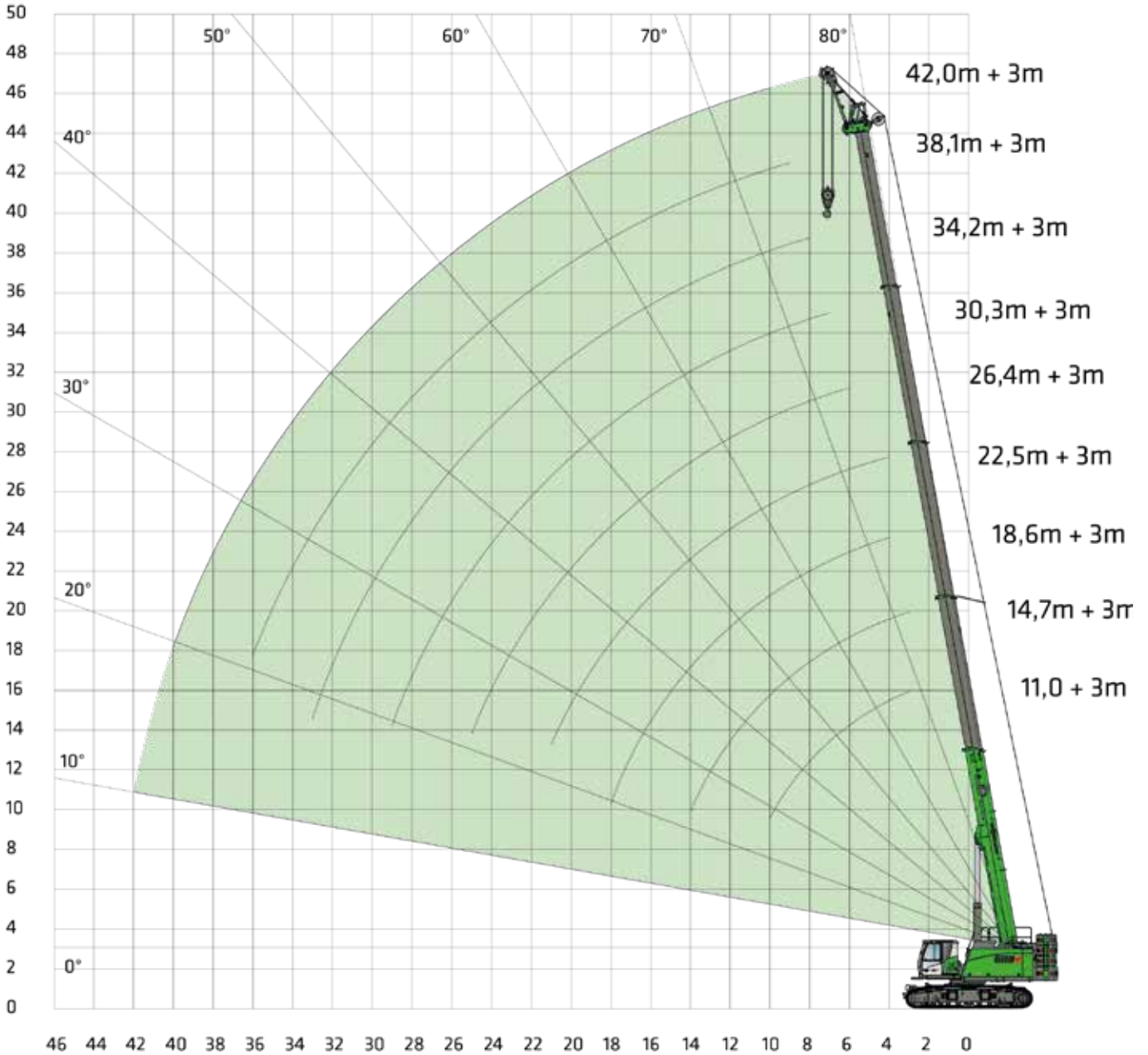
CRANE EQUIPMENT

CRANE EQUIPMENT



MAIN BOOM
HA 42 m + SLS (Heavy-duty jib)

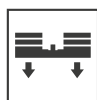
CRANE EQUIPMENT



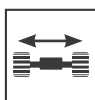
LOAD RATINGS



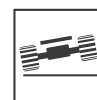
MAIN BOOM
HA 42 m + SLS



BALLAST
28.3 t



TRACK WIDTH
4.2 m



MAX. INCLINATION
0.6 °



UNDERCARRIAGE BALLAST
6.0 t

RADIUS [m]	BOOM LENGTH [m]									
	11.0	14.7	18.6	22.5	26.4	30.3	34.2	38.1	42.0	
3.0	28.5	28.5								
4.0	28.5	28.5	28.5	24.4						
5.0	28.5	28.5	28.5	24.6						
6.0	27.0	28.4	28.5	24.9	24.1					
7.0	25.7	27.8	28.3	25.1	23.8	19.7				
8.0	24.7	26.6	27.6	24.5	22.1	19.2	16.2			
9.0	23.9	25.6	26.1	22.6	20.0	18.2	15.3	13.4		
10.0	23.4	24.7	23.9	20.7	18.3	16.7	14.4	12.5	9.8	
11.0		21.4	21.1	18.9	16.7	15.3	13.5	11.7	9.6	
12.0		18.7	18.5	17.4	15.4	14.2	12.6	11.0	9.3	
13.0		16.5	16.3	16.1	14.2	13.1	11.8	10.3	9.0	
14.0		14.6	14.4	14.5	13.1	12.2	11.0	9.7	8.5	
15.0			12.9	13.0	12.2	11.3	10.3	9.1	8.1	
16.0			11.5	11.7	11.3	10.5	9.6	8.6	7.6	
17.0			10.4	10.5	10.6	9.8	9.0	8.1	7.2	
18.0			9.3	9.5	9.6	9.2	8.4	7.7	6.8	
19.0				8.6	8.7	8.6	7.9	7.3	6.5	
20.0				7.8	7.9	8.1	7.4	6.9	6.2	
21.0				7.1	7.2	7.6	6.9	6.5	5.9	
22.0					6.6	6.8	6.5	6.2	5.6	
23.0					5.9	6.3	6.1	5.8	5.3	
24.0					5.4	5.7	5.8	5.5	5.1	
25.0					4.8	5.2	5.4	5.2	4.8	
26.0						4.7	5.0	4.9	4.6	
27.0						4.3	4.5	4.6	4.4	
28.0						3.9	4.1	4.3	4.2	
29.0						3.5	3.8	4.1	3.9	
30.0							3.4	3.8	3.7	
31.0							3.1	3.4	3.5	
32.0							2.8	3.1	3.3	
33.0							2.5	2.9	3.1	
34.0								2.6	3.0	
35.0								2.3	2.8	
36.0								2.1	2.4	
37.0									2.2	
38.0									2.0	
39.0									1.8	
40.0									1.6	
Number of falls	4	4	4	4	4	3	3	3	2	
I	0%	50%	100%	100%	100%	100%	100%	100%	100%	100%
II	0%	0%	0%	50%	100%	100%	100%	100%	100%	100%
III	0%	0%	0%	0%	0%	50%	100%	100%	100%	100%
IV	0%	0%	0%	0%	0%	0%	0%	50%	100%	100%

Tab.no.: 165635

CRANE EQUIPMENT

LOAD RATINGS



MAIN BOOM
HA 42 m + SLS



BALLAST
28.3 t



TRACK WIDTH
4.2 m



MAX. INCLINATION
1.5 °



UNDERCARRIAGE BALLAST
6.0 t

CRANE EQUIPMENT

RADIUS [m]	BOOM LENGTH [m]								
	11.0	14.7	18.6	22.5	26.4	30.3	34.2	38.1	42.0
3.0	28.5	28.5							
4.0	27.5	28.3	27.6						
5.0	26.0	27.5	26.4	22.9	18.6				
6.0	24.8	26.3	24.9	21.8	17.8	15.0			
7.0	23.7	25.3	23.6	20.8	17.1	14.4	11.7		
8.0	22.9	24.3	22.4	19.8	16.4	13.9	11.3	9.7	
9.0	22.2	23.5	21.3	18.9	15.7	13.4	10.9	9.4	7.2
10.0	21.8	22.9	20.3	18.2	15.1	12.9	10.6	9.1	7.2
11.0		21.2	19.3	17.4	14.5	12.5	10.3	8.9	7.2
12.0		18.5	18.4	16.7	14.0	12.1	10.0	8.7	7.2
13.0		16.3	16.1	15.9	13.5	11.6	9.7	8.4	7.1
14.0			14.3	14.4	12.9	11.3	9.4	8.2	7.0
15.0			12.7	12.8	12.2	10.9	9.1	8.0	6.9
16.0			11.4	11.5	11.3	10.3	8.8	7.8	6.8
17.0			10.2	10.4	10.6	9.7	8.6	7.6	6.6
18.0			9.2	9.4	9.5	9.1	8.2	7.4	6.4
19.0				8.5	8.6	8.5	7.8	7.2	6.3
20.0				7.7	7.8	8.0	7.3	6.9	6.0
21.0				7.0	7.1	7.5	6.9	6.5	5.8
22.0					6.5	6.7	6.5	6.2	5.6
23.0					5.8	6.2	6.1	5.8	5.3
24.0					5.3	5.6	5.7	5.5	5.1
25.0					4.8	5.1	5.4	5.2	4.8
26.0						4.6	4.9	4.9	4.6
27.0						4.2	4.5	4.6	4.4
28.0						3.8	4.1	4.3	4.2
29.0						3.4	3.7	4.1	3.9
30.0							3.3	3.7	3.7
31.0							3.0	3.4	3.5
32.0							2.7	3.1	3.3
33.0							2.4	2.8	3.1
34.0								2.5	3.0
35.0								2.3	2.6
36.0								2.0	2.3
37.0								1.8	2.1
38.0									1.9
39.0									1.7
40.0									1.5
Number of falls	4	4	4	4	3	3	2	2	2
I	0%	50%	100%	100%	100%	100%	100%	100%	100%
II	0%	0%	0%	50%	100%	100%	100%	100%	100%
III	0%	0%	0%	0%	0%	50%	100%	100%	100%
IV	0%	0%	0%	0%	0%	0%	0%	50%	100%

Tab.no.: 265635

LOAD CAPACITY SCHEDULES

MAIN BOOM HA				AUXILIARY JIB HA-S				HEAVY-DUTY JIB SLS
-----------------	--	--	--	-----------------------	--	--	--	-----------------------



UNDERCARRIAGE TRACK WIDTH										
Ballast [t]	Undercarriage ballast [t]									
 28.3 t	 6.0 t	360° 	360° 	—	360° 	360° 	—	360° 	360° 	—
 14.8 t	 6.0 t	360° 	360° 	—	360° 	360° 	—	360° 	360° 	—
 0 t	 0 t	360° 	360° 	360° 	360° 	360° 	360° 	360° 	360° 	360°

CRANE EQUIPMENT

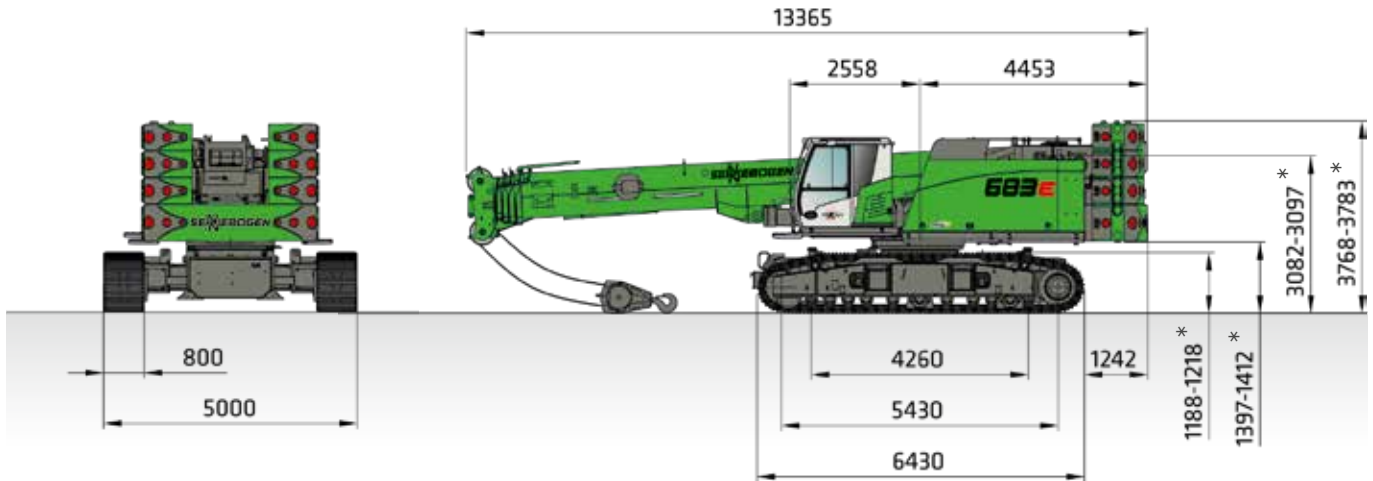
FLY JIB SA 8m				FLY JIB SA 15m
------------------	--	--	--	-------------------



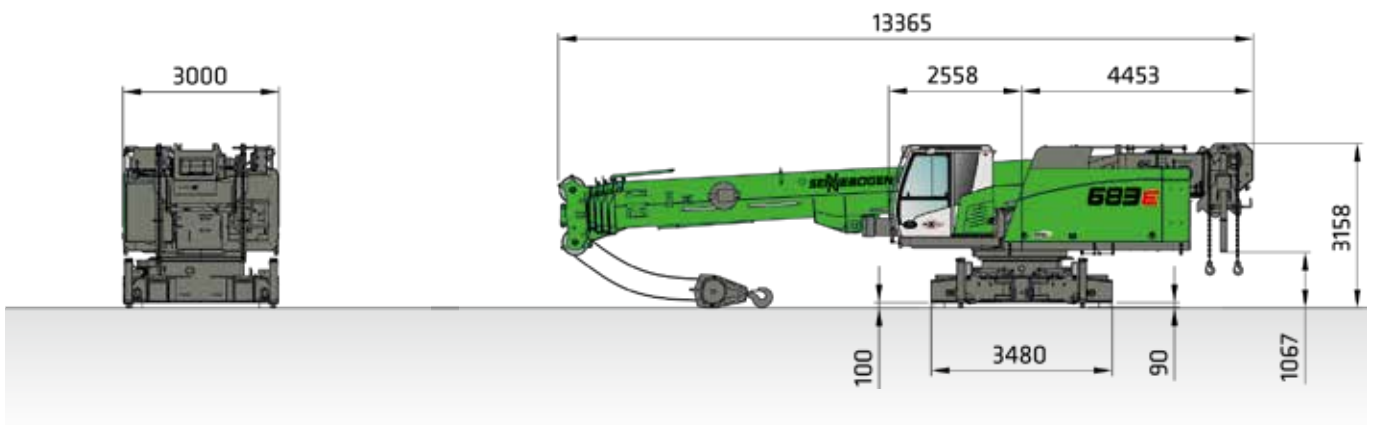
UNDERCARRIAGE TRACK WIDTH							
Ballast [t]	Undercarriage ballast [t]						
 28.3 t	 6.0 t	360° 	—	—	360° 	—	—
 14.8 t	 6.0 t	—	—	—	—	—	—
 0 t	 0 t	—	—	—	—	—	—

TRANSPORT DIMENSIONS

i **Weight:** approx. 90.5 t (2 winches, 15 m fly boom, 50 t hook, 6 t central ballast, 28,3 t ballast)
Dimensions: 13,4 m x 3.5 m x 3.8 m

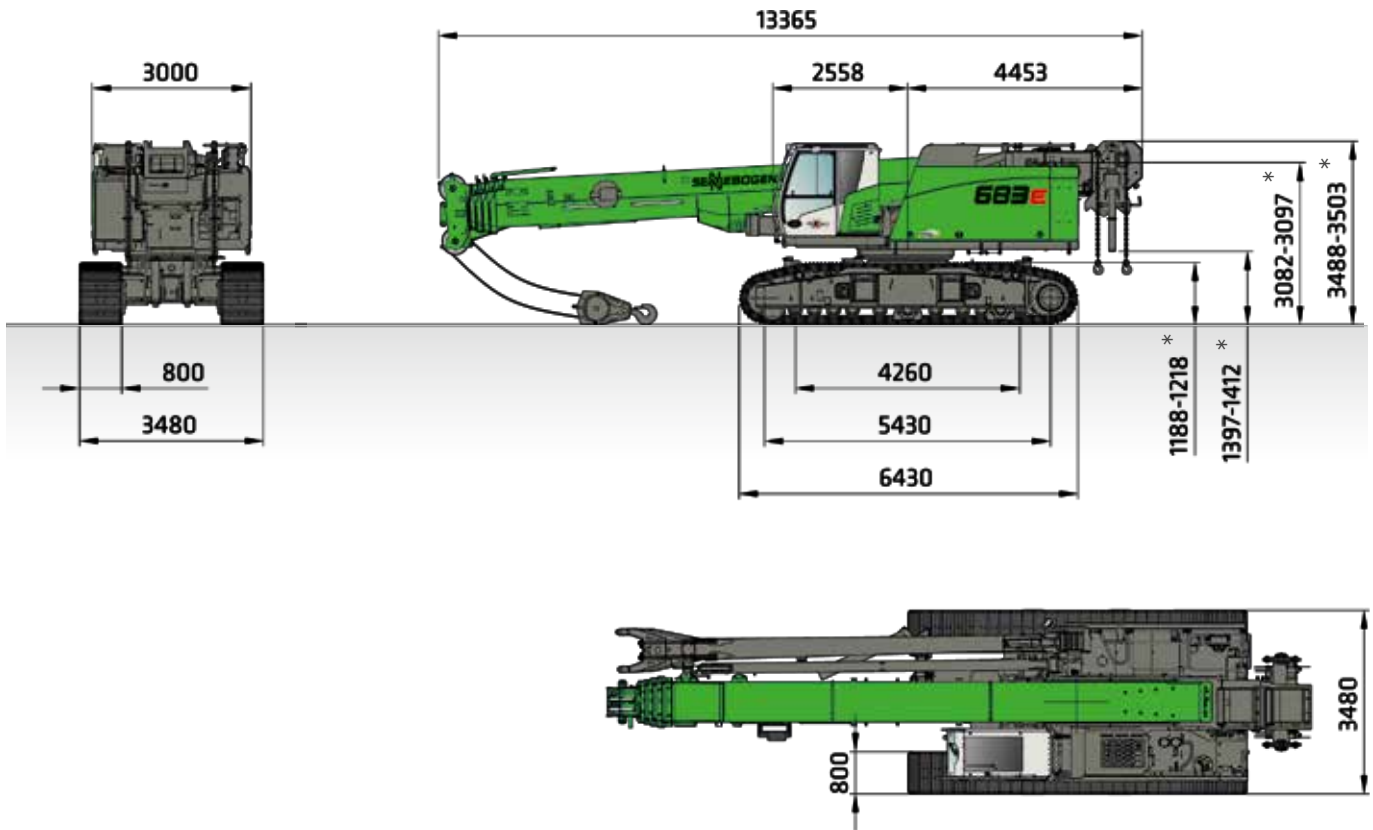


i **Weight:** approx. 37.0 t (2 winches, 15 m fly jib, 50 t hook, without ballast, without crawler tracks, without platform)
Dimensions: 13.4 m x 3.0 m x 3.2 m



TRANSPORT DIMENSIONS

i **Weight:** approx. 56.1 t (2 winches, 15 m fly jib, 50 t hook, without ballast, without platform)
Dimensions: 13.4 m x 3.5 m x 3.5 m



BASE PLATES	MIN. TRANSPORT WIDTH
800 mm	3480 mm
900 mm	3580 mm

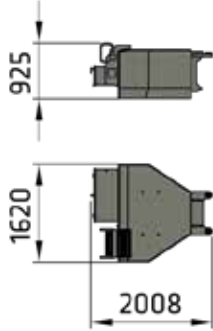
TRANSPORT DIMENSIONS

Dimensions in [mm]

* depending on base plate. Subject to technical changes.

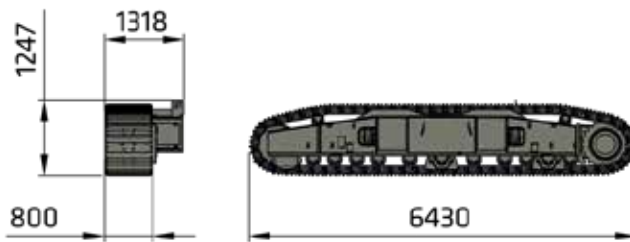
TRANSPORT DIMENSIONS

CENTRAL BALLAST 2 X



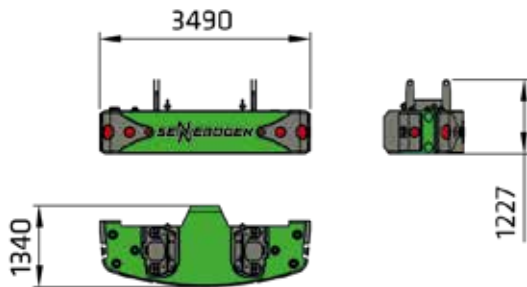
i **Weight:**
3000 kg each

CRAWLER 2 X



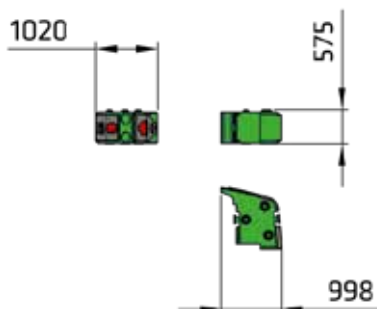
i **Weight:**
9790 kg (800 mm / triple grouser)
10660 kg (800 mm / flat)
10140 kg (900 mm / triple grouser)
11090 kg (900 mm / flat)

BALLAST BASE PLATE



i **Weight:** 14900 kg

BALLAST PLATE 4 X



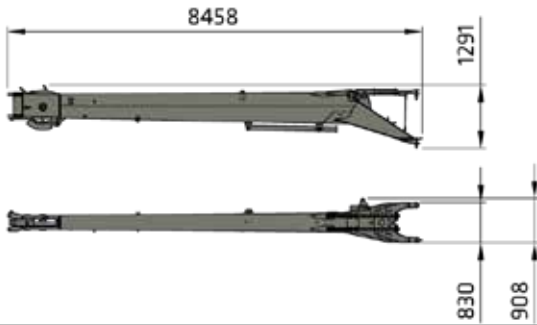
i **Weight:** je 2250 kg

Dimensions in [mm]

TRANSPORT DIMENSIONS

FLY JIB 8 m SA80.2

i Weight: 920 kg



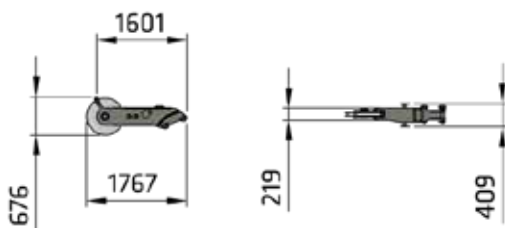
FLY JIB EXTENSION 7 m SAV70.2

i Weight: 300 kg



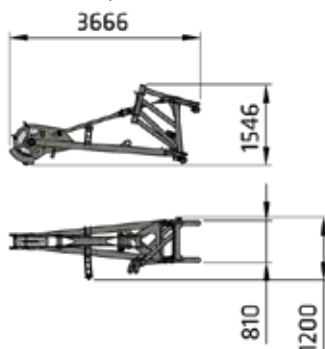
AUXILIARY JIB S7.2

i Weight: 160 kg



HEAVY-DUTY JIB S36.3

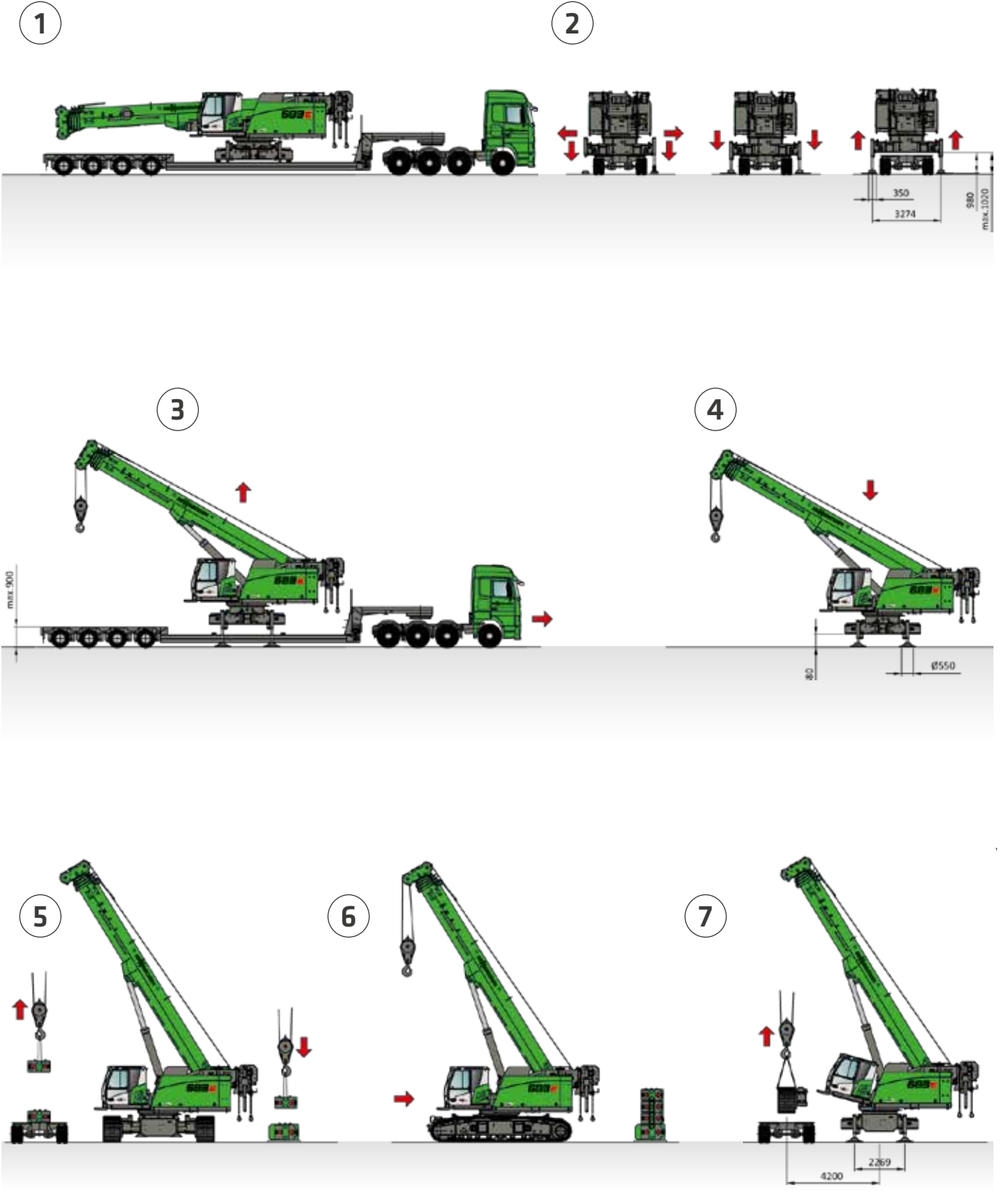
i Weight: approx. 700 kg



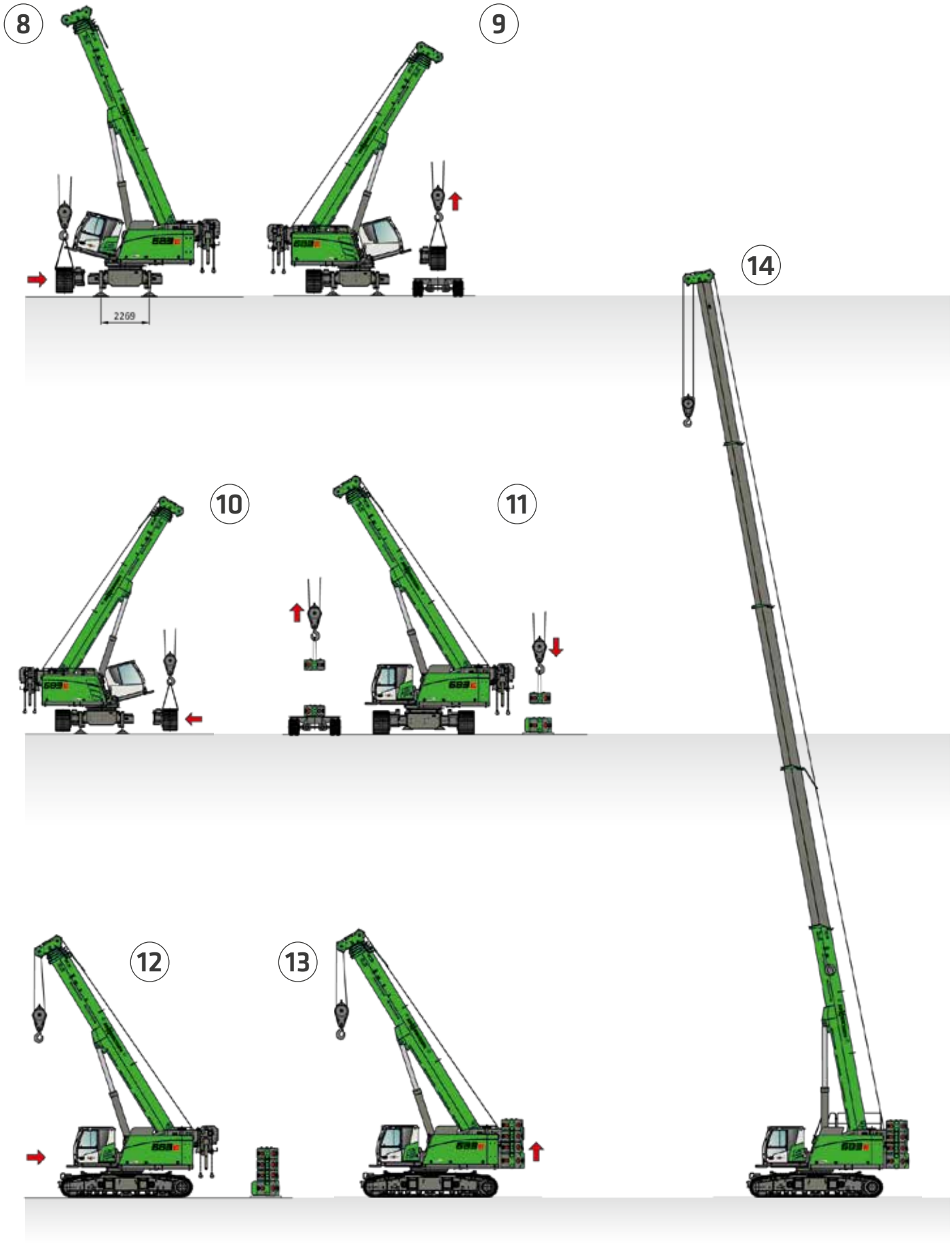
Dimensions in [mm]

SELF-ASSEMBLY SYSTEM WITH REMOVED CRAWLER TRACKS

i Transport width: 3.0 m



SELF-ASSEMBLY SYSTEM



SELF-ASSEMBLY SYSTEM

SELF-ASSEMBLY SYSTEM WITH MOUNTED CRAWLER TRACKS

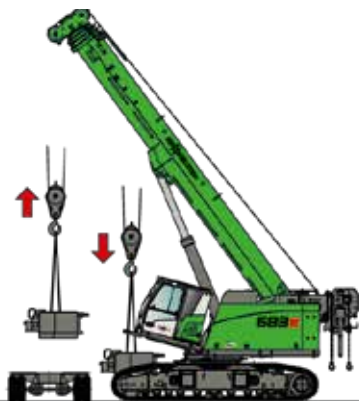
1



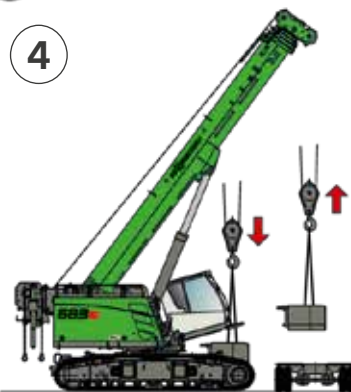
2



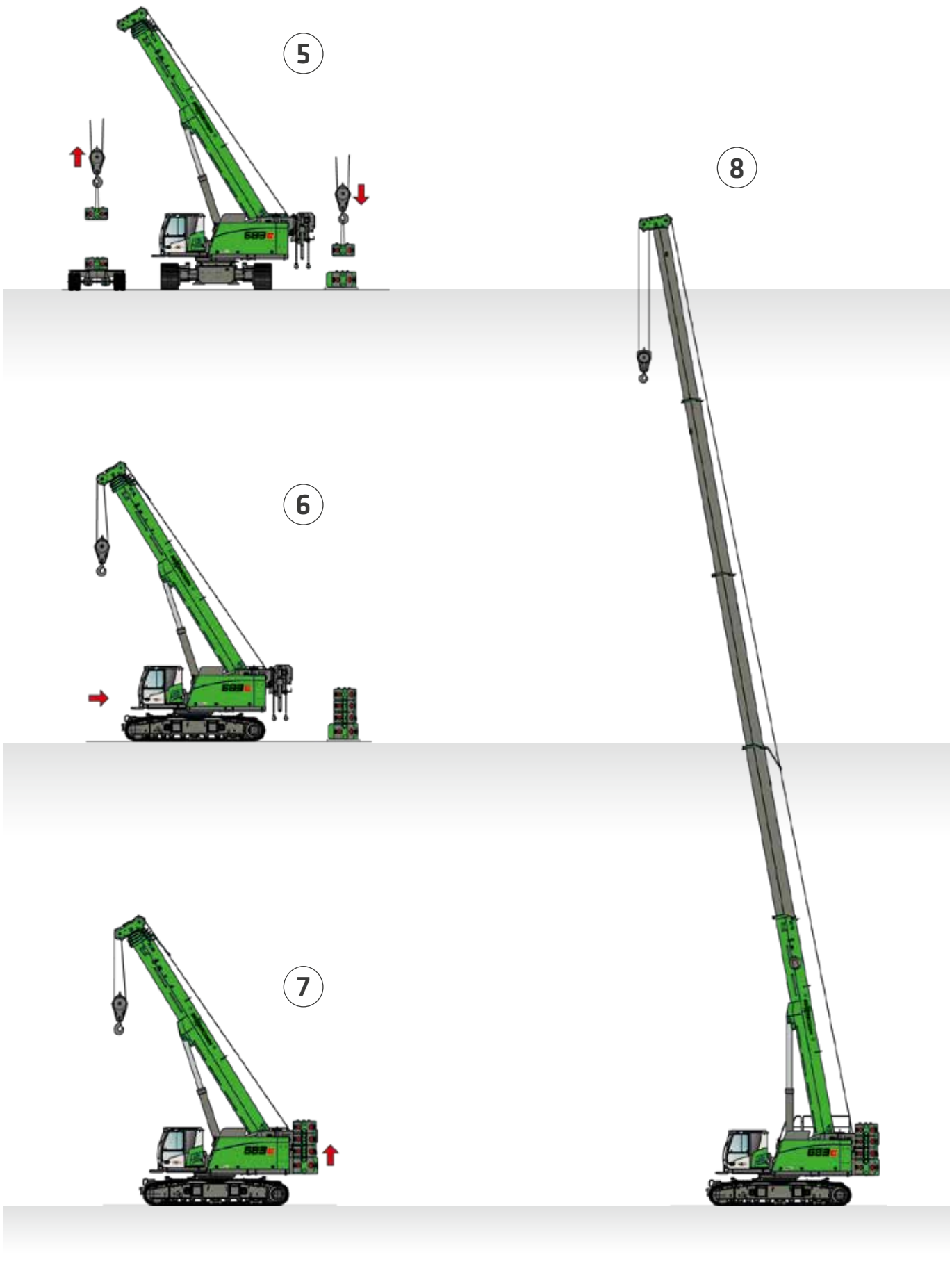
3



4



SELF-ASSEMBLY SYSTEM



SELF-ASSEMBLY SYSTEM



SENNEBOGEN ACADEMY

Increase your knowledge because success is based on knowledge. In the SENNEBOGEN ACADEMY we place great importance on ensuring it flows powerfully.

➔ www.sennebogen-academy.com



SERVICE AND MAINTENANCE

Comprehensive customer service. And supply of spare parts. Service is a TOP priority for us.

➔ www.sennebogen.com/customer-service



SENtrack

Efficient fleet management with SENtrack: Use information that would otherwise stay hidden and increase your efficiency.

➔ www.sennebogen.com/sentrack



RENTAL & USED

Discover the unique range of rental machines available from SENNEBOGEN Rental & Used. Find your rental machine here:

➔ www.sennebogen-rental-used.com

JOIN OUR OPERATORS' CLUB

The spotlight is on you and your machine! We focus on exclusive information, sharing experiences with other SENNEBOGEN operators as well as fun and enthusiasm.

All benefits here ➔ www.sennebogen.com/operators-club



MOVE BIG THINGS - WITH US!



over **70**
years of
experience

100 %
family company

over **1800**
experienced
specialists worldwide

4
production plants
in Germany

over **180**
sales and service partners
worldwide

12
different
telescopic cranes



Telehandler
4-5.5 t

Balancer
130-300 t

Material handler
17-420 t

Duty cycle crane
13,5-300 t

Crawler crane
50-300 t

Telescopic crane
16-130 t

Port crane
300 t

683E | Crawler

Order no.: 404857
683R-E-102205

This catalog describes machine models, the scope of equipment of individual models, and configuration options (standard equipment and optional equipment) of the machines delivered by SENNEBOGEN Maschinenfabrik GmbH. Machine illustrations may contain optional and supplementary equipment. Actual equipment may vary depending on the country to which the machines are delivered, especially in regard to standard and optional equipment. All product designations used may be trademarks of SENNEBOGEN Maschinenfabrik GmbH or other supplying companies, and any use by third parties for their own purposes may violate the rights of the owners.

Please contact your local SENNEBOGEN sales partner for information concerning the equipment variants offered. Requested performance characteristics are only binding if they are expressly stipulated upon conclusion of the contract. Delivery options and technical features are subject to change. All information is supplied without liability. Equipment is subject to change, and rights of advancement are reserved. © SENNEBOGEN Maschinenfabrik GmbH, Straubing, Germany. Reproduction in whole or in part only with written consent of SENNEBOGEN Maschinenfabrik GmbH, Straubing, Germany.

SENNEBOGEN
Maschinenfabrik GmbH
Hebbelstraße 30
94315 Straubing, Germany

 www.sennebogen.com

MOVE BIG THINGS

SALES SENNEBOGEN

Sales Crane Line

 +49 (0) 9421 540 - 146

 cranes@sennebogen.de

SPARE PARTS CENTER

Spare parts orders

 spareparts@sennebogen.de

AFTER SALES

Technical support

 service@sennebogen.de

